



### **Purpose / Intent:**

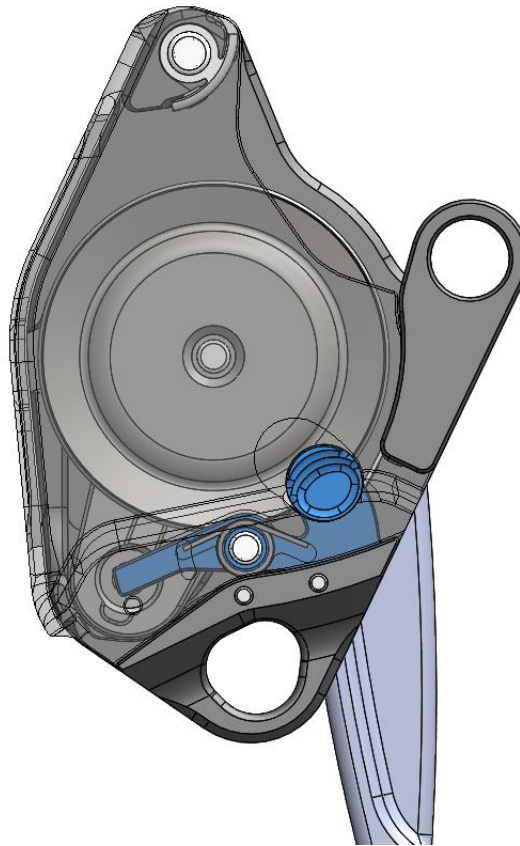
This document provides a recommended procedure for maintaining the Side Plate Release Latch of the CLUTCH. On a yearly basis, or if latch function becomes impaired, apply lubricant to the latch as indicated in the steps below.

### **Required Materials:**

- Lubricant (DuPont Teflon Chain-Saver Dry Self-Cleaning Lubricant CS0116601 or equal)
- Isopropyl Alcohol
- Clean rags or paper towels
- Compressed air (optional)
- CLUTCH Technical Manual for reference (available at [cmcpro.com](http://cmcpro.com))
- CLUTCH PPE inspection procedure (available at [cmcpro.com](http://cmcpro.com))

### **Lubrication Procedure:**

The following procedure lays out the steps for lubricating the Side Plate Release Latch of the CLUTCH. The Side Plate Release Latch is mounted to the Moving Sideplate and shown highlighted in blue below.



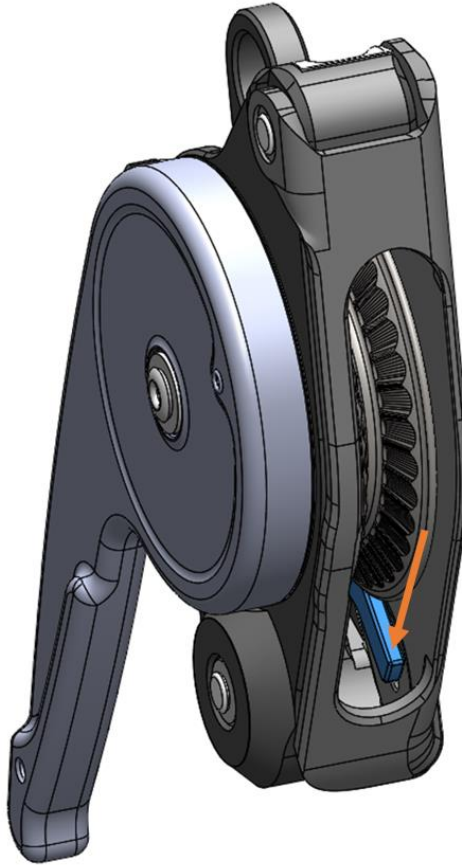


# CMC CLUTCH™ by Harken Industrial™

## Latch Lubrication Procedure

---

1. **Open the Moving Sideplate.** If the Side Plate Release Latch is difficult to actuate, the latch can also be operated by pressing down on the latch-stop feature accessible through the sheave window of the sideplate (see orange arrow below).



2. **Thoroughly inspect** the CLUTCH for any visible damage such as cracks, deformations or other signs of extreme events. A comprehensive inspection procedure is available at <https://www.cmcpro.com/ppe-inspection/clutch-procedure/>

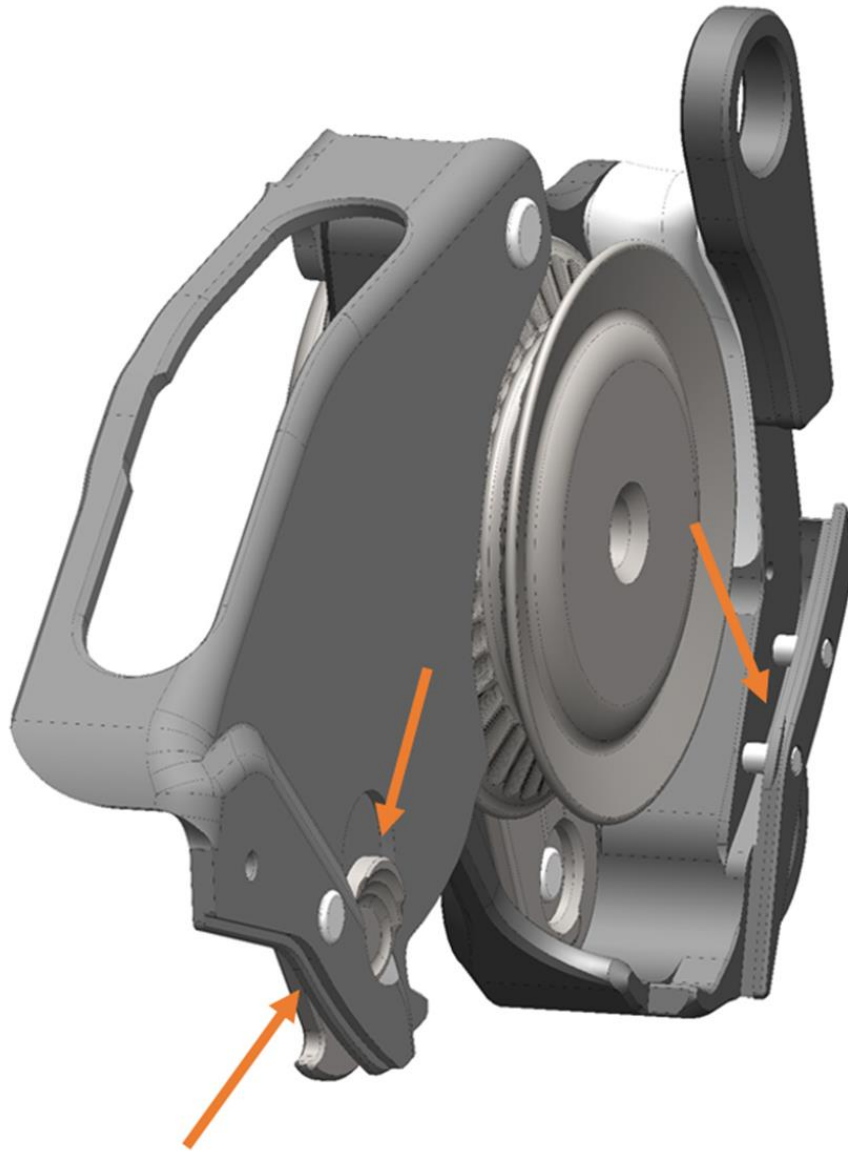


# CMC CLUTCH™ by Harken Industrial™

## Latch Lubrication Procedure

---

3. **Clean and dry the latch features.** With the Moving Sideplate open, clear any sand, grit or debris out of the latch mechanism and interface features on the Chassis. Compressed air can be helpful. If very dirty, use clean water to wash off any dirt or debris. Do not use a pressure washer to clean the device. If device gets wet, allow the device to air dry at temperatures between 10° C and 30° C, keep away from direct heat.



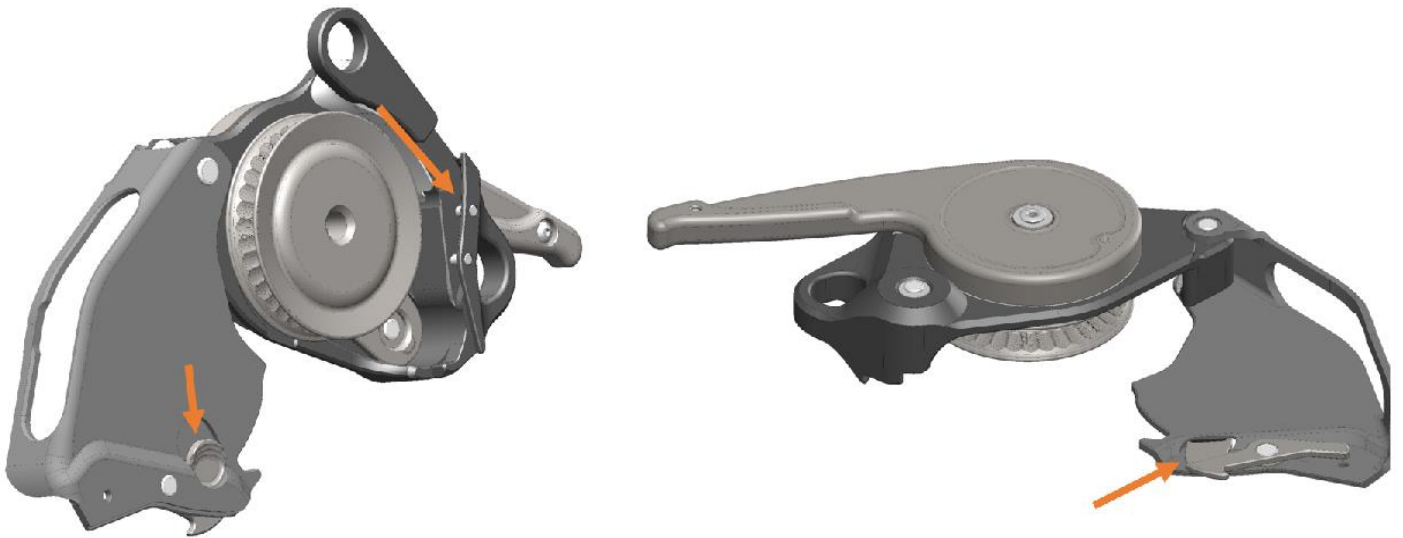


# CMC CLUTCH™ by Harken Industrial™

## Latch Lubrication Procedure

- 4. Apply Lubricant.** Once the device is clean and dry, lubricate the areas shown below by spraying small amounts of *DuPont Teflon Chain-Saver Dry Self-Cleaning Lubricant*. Make sure to follow the application instructions and safety warnings on the DuPont product. Allow the lubricant to dry before actuating the latch components. A slow stream of compressed air can help speed up this process.

**WARNING:** Avoid contaminating the rope path of the CLUTCH, especially the Sheave and Friction Shoe.



- 5. Clean up overspray** by wiping off any excess lubricant with an alcohol soaked rag, especially in the area of the rope path (blue). Make sure that the sheave is clean and does not feel slippery before putting the device back in service.

