

WINGMAN™

Part Number: IN404



Intended for specialized personnel or expert users



	Pg.
English	1
Diagrams	16
Français	20
Deutsch	28
Italiano	36
Español	44

Table of Contents (English)	Pg.
1. About this manual	2
2. Safety information	2-3
3. Product description and components	3-8
4. Intended use prerequisites and limitations	8
5. Use	9-13
6. Maintenance	14
7. Lifespan	14
8. Packaging, storage, transportation	14
9. Warranty	14
10. Equipment record	15



Please read these instructions carefully before installing, servicing, or operating the equipment. This manual may be modified without notice. In the event this manual is translated, the English version is definitive. For latest manual revision go to harkenindustrial.com/en/product-support/

PLEASE SAVE THESE INSTRUCTIONS

1. About this manual

Before and after using the Harken WingMan read the instructions contained in this manual thoroughly. This instruction manual is an integral part of the product, and it supplies all the necessary information for its correct safe use, maintenance, and storage. If you don't understand some of the instructions, please contact Harken's authorized dealer. Harken shall not be liable for damages, injuries or death caused by noncompliance of the safety and other instructions contained in this manual. This manual is intended for specialized personnel or expert users.

Keep the user instructions/information after they are separated from manufactured system and retain them in a permanent record. Copy the user instructions/information and keep with the equipment.

2. Safety Information

a) General safety precautions:



WARNING! Activities involving the use of this equipment are inherently dangerous. You are responsible for your own actions and decisions.



WARNING! This product must only be used by competent persons or skilled expert users.



WARNING! Before using this equipment, you must:

1. Read and understand all instructions for use
2. Get specific training in its proper use
3. Become acquainted with its capabilities and limitations
4. Understand and accept the risks involved



WARNING! Failure to heed any of these warnings may result in severe injury or death.

b) Intended use:

The WingMan is a mechanical-advantage device for load lifting and releasing. It is used in a fall protection or work at height system. It is intended for work at height, access, and rescue use. It can be used for human suspension for up to a 3 kN load.

c) Improper use:

Use only with supplied rope. Never use with wire rope or steel cable. Never use as a human suspension device when the WingMan is the sole support. Always have a backup safety system.

2. Safety Information (continued)

d) Personal Protective Equipment:

Wearing gloves is recommended. All PPE must be certified and marked according to the current relevant national regulations.

e) Risks:



WARNING! Injury or death from falling from height or from dropped objects is possible.



WARNING! Rotating Parts Trapping Risk
Always wear clothing and protective gloves, if applicable, that are form fitting. Avoid loose gloves or clothing.

3. Product Description and Components

a) Description

The IN404 WingMan is a mechanical advantage system consisting of two swivel pulleys and a manufacturer supplied rope. One pulley is a double with a becket to dead end the rope. The other pulley is a double with a ratchet and cammed sheave with a releasing handle allowing gradual release of the mechanical advantage system under load. The releasing handle is located at the operator end.

b) Component materials

Anodized aluminum is used throughout the pulleys. The handle is glass reinforced nylon. The rope is an 8 mm static polyester with a sewn termination and is not to be substituted. Pulleys have stainless steel axles and fasteners. The ratchet mechanism is stainless steel.

3. Product Description and Components (continued)

c) Certification

The WingMan is certified as a system including two pulleys, rope and rope connection. System is certified to the following standards.



MEETS THE MANUFACTURED SYSTEM REQUIREMENTS OF NFPA 1983, INCORPORATED IN THE 2022 EDITION OF NFPA 2500.

DO NOT DISASSEMBLE.

Additional information regarding manufactured systems can be found in NFPA 1500 and NFPA 1858 and NFPA 1983, incorporated in the 2022 edition of NFPA 2500 / G general use MBS 45 kN.

The H-86666 double becket block portion of the WingMan is CE and UKCA certified.

H-86666 Double pulley with side becket



H-86666



Certification: EN 12278.2007

This pulley is designed to be used in a system for preventing a fall from height. When required this product must be used with a comprehensive fall protection system in accordance with EN 363 and a fall arrest harness that meets EN361.



Personal Protective Equipment Regulations (Regulation 2016/425) and the Personal Protective Equipment (Enforcement) Regulations 2018, as amended.

For Declaration of Conformity, visit www.harkenindustrial.com

Laboratory for PPE Certification (Module B):

UL International (Netherlands) B.V.
Westervoortsedijk 60, 6827AT Arnhem,
The Netherlands

Laboratory for UKCA Certification (Module B):

UL International (UK) Ltd –
Kingsland Business Park, Unit 1-3 Horizon, Wade Rd,
Basingstoke RG24 8AH,
United Kingdom

d) Part number and load rating (specifications)

Part Number - IN404

Maximum rated load	3 kN	674 lbf
Minimum Break Strength	45 kN	10116 lbf

The load limits above are based on using Harken supplied rope. Any changes to rope specifications changes the limits.



WARNING! Do not exceed maximum rated load.

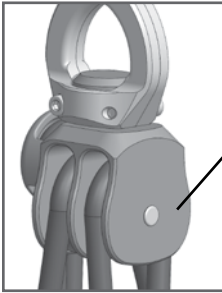
e) Compatibility (Selecting other components for the system)

Connectors and components must also meet fall protection rules and regulations for the presiding regulatory authorities.

Connection devices must be locking and must be capable of supporting at least 22 kN (5000 lb).

3. Product Description and Components (Continued)

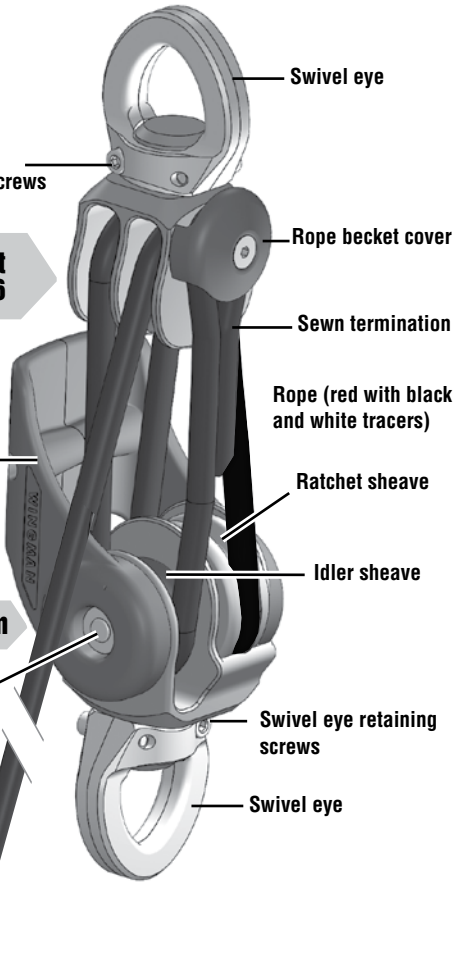
f) Parts description



Riveted end of axle

Swivel eye retaining screws

**Double pulley with side becket
H-86666**



Swivel eye

Rope becket cover

Sewn termination

Rope (red with black and white tracers)

Ratchet sheave

Idler sheave

Releasing handle

Double pulley with releasing cam

Riveted end of axle

Swivel eye retaining screws

Swivel eye

Haul/tailling rope

Stopper knot



Rope bag

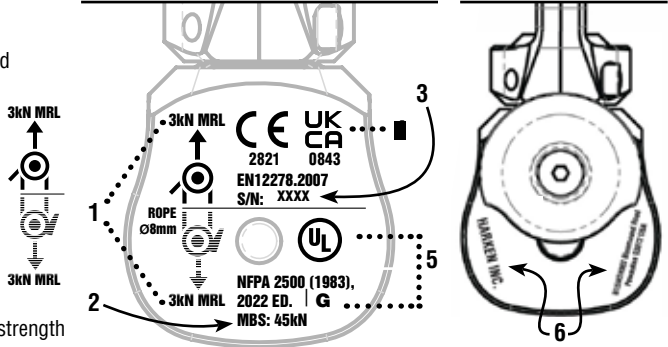
3. Product Description and Components (Continued)

g) Labeling - Double pulley with side becket

1 - Maximum rated load

Refers to the max rated load at 4:1 mechanical advantage.

Haul/tauling rope



2 - Minimum breaking strength

3 - Serial number

4 - Certification: Double pulley with side becket

5 - Certification: Entire system

6 - Manufacturer/address

g) Labeling - Double pulley with releasing cam

7 - Required rope diameter



h) Dimensions

Minimum distance - The distance below is the minimum distance the WingMan can close.

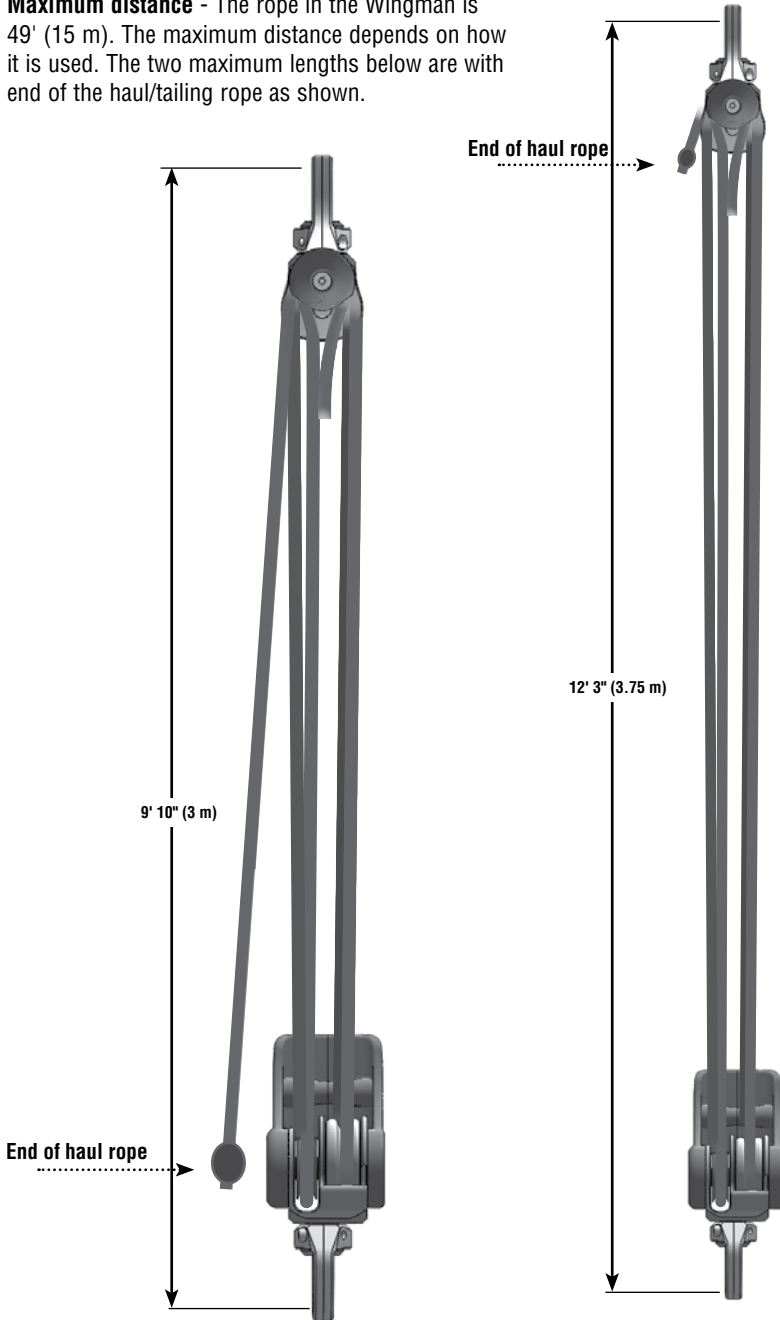


Minimum distance

3. Product Description and Components (Continued)

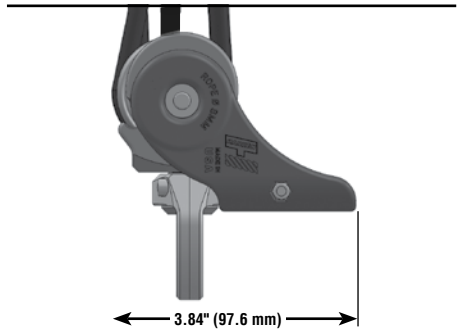
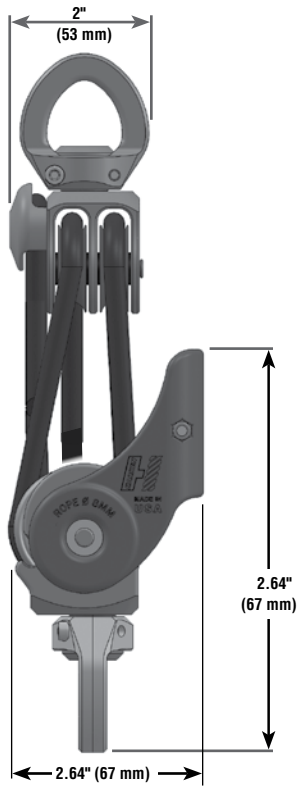
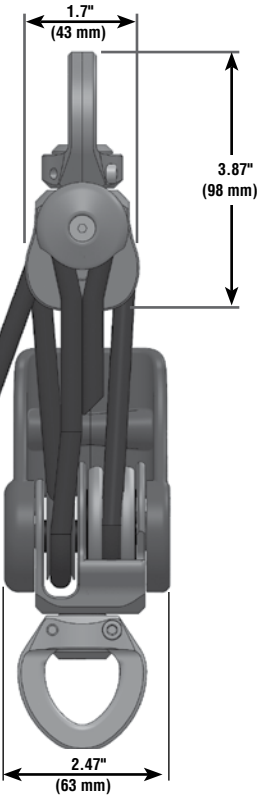
h) Dimensions (continued)

Maximum distance - The rope in the Wingman is 49' (15 m). The maximum distance depends on how it is used. The two maximum lengths below are with end of the haul/tailing rope as shown.



3. Product Description and Components (Continued)

h) Dimensions (continued)



4. Intended use prerequisites and limitations

a) Atmospheric conditions

Temperature for operation between -10°C and $+40^{\circ}\text{C}$ (14°F and 104°F).
Wet and icy conditions can affect the function of the device. Prolonged exposure to dust, ice or other particulates can result in damage to the WingMan and should be removed before use.

5. Use

a) Inspection before each use

Inspect the following carefully before using the WingMan. Correct problems before using. See part description on page 5 and inspection form on page 15.

Component	Inspection	Action if not correct
Swivel eyes	Ensure swivel rotates freely. Lack of rotation can indicate overload.	Remove from service. Send to Harken service center.
Swivel eyes	Check for wear on load bearing part of eye for each pulley.	Remove from service. Send to Harken service center.
Swivel eye retaining screws	Check for loose screws.	Remove from service. Send to Harken service center.
Riveted end of axle	Ensure rivet is secure and not loose.	Remove from service. Send to Harken service center.
Pulley body	Inspect the aluminum body of the pulley for any cracks wear or corrosion.	Remove from service. Send to Harken service center.
Sheave operation	Ensure sheaves roll freely. Ensure ratchet sheave rolls one direction and stops in other direction. The ratchet sheave should make a clicking sound when rotating.	Follow maintenance directed in this manual and recheck. If still does not roll freely remove from service. Send to Harken service center.
Releasing handle	Ensure that the releasing handle locks rope when handle is released completely. Ensure spring action closes the handle smartly.	Remove from service. Send to Harken service center.
	Inspect the handle for any cracks wear or separation between halves.	Remove from service. Send to Harken service center.
Rope sewn termination	Check sewn loop for signs of unraveling or damage. Inspect rope becket cover to ensure screw is tight and locked using thread-locking compound.	Remove from service. Send to Harken service center.
Rope	Check for any abrasion, UV damage, mold, exposure to chemicals, grease or excessive heat.	Remove from service. Send to Harken service center.
Rope stopper knot	Ensure there is a stopper knot on the free end of the haul rope.	Tie barrel knot and cover with clear shrink wrap.
Reeving of rope	Ensure the rope strands are not crossed or tangled. This can happen if the pulley is flipped during handling.	Flip the pulley through the strands to correct the problem. See diagram in part 3.
	Ensure the rope is reeved through all sheaves. The haul/tailling end of rope must exit from the double pulley with becket.	Lead rope through last sheave and ensure the sewn stop is in place.

5. Use (continued)

b) Operation

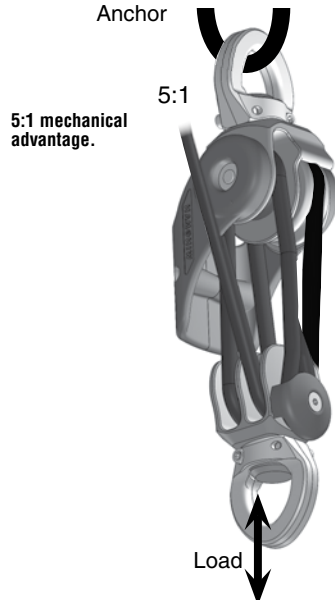
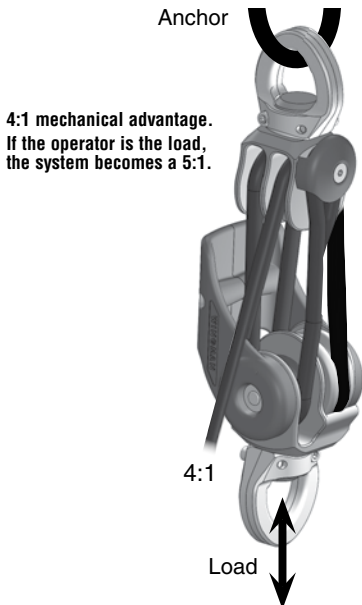
Function test - Before each use, verify that the device is working properly. Always use a backup safety system. Anchor one end and gradually apply load to the WingMan. Make sure the rope is locked in the double pulley with releasing handle. Grip the running end of rope with one hand and then with the other hand slowly open the handle to allow the rope to pass through and load to begin lowering. Ease pressure on the handle so it closes and make sure the rope locks. With a moderate load on the system, open the handle and make sure the handle snaps closed. Pull on the haul/tailing rope and make sure the sheaves turn freely and you hear a clicking sound.

Setup - Secure one end to an anchor or appropriate full strength anchor point on harness. Keep the releasing handle within reach of the operator.

Depending on orientation the WingMan can be used as a 4:1 mechanical advantage system or a 5:1 mechanical advantage system.

4:1 Mechanical advantage - If the double pulley with becket is attached to the anchor so the double with releasing handle is the movable load, and if the operator is not the moveable load, the system provides a 4:1 mechanical advantage. If the operator is the moveable load, the system becomes a 5:1.

5:1 Mechanical advantage - If the double pulley with releasing handle is attached to the anchor and the double with becket is the movable load, the system provides a 5:1 mechanical advantage. Note: the handle must be within reach of the operator.



5. Use (continued)

Lowering - To lower load, carefully open the releasing handle while securely tailing the haul/tail rope. Open the handle until you start to feel some pressure then slowly increase pressure as needed to start lowering. Use the combination of handle release and tailing to control the rate of descent.



To stop lowering, ease pressure on the handle so it closes and locks. Releasing the handle completely will immediately stop the lowering action.



5. Use (continued)



Raising - Raise by hauling hand over hand. When stopped (hand leaves haul/tail rope) make sure the load is secured with a blocking hitch finished with a security knot. Be sure not to secure to or interfere with the releasing handle.

Parking while raising or lowering - When stopped (hand leaves haul/tail rope) make sure the load is secured using a blocking hitch finished with a security knot.

IMPORTANT! Do not tie to releasing handle or interfere with releasing handle operation.

IMPORTANT! - When finished using the WingMan system, carefully pull the two pulleys together to prevent tangles during transport and storage. To pull the mechanical advantage system together, secure one end of the WingMan and keep pressure on the swivel eye of the other end while pulling the hauling part.

Pulleys secured for storage



5. Use (continued)

c) Rescue

You must have a rescue plan and the means to rapidly implement it in case of difficulties encountered while using this equipment.

d) Operating temperature

-10°C and +40°C

(14°F and 104°F)

Use, store and transport the Wingman where it will be protected from flame or high temperature.



WARNING! Avoid exposing the Wingman to flame or high temperature. It could melt or burn and fail if exposed to flame or high temperature which may result in severe injury or death.

e) Removing from service

If the WingMan has been subjected to the forces of arresting a fall it must be immediately withdrawn from use. Product can be severely damaged if exposed to chemical agents, heat, and abrasion and should be removed from service if safe function is in doubt. If in doubt check with Harken Industrial.

6-9. Maintenance, Lifespan, Storage, Warranty

6. Maintenance

Do not disassemble the WingMan. If soiled or exposed to saltwater, rinse in clean warm water (maximum temperature of 25°C) with non detergent at appropriate dilution (Ph range 5.5-8.5), and thoroughly rinse. When the equipment becomes wet, either from being in use or due to cleaning, it should be allowed to dry naturally, and should be kept away from direct heat. Light surface corrosion may be removed with a wire brush (no power tools). Retire if corrosion is heavy.

Do not use lubrication of any kind on the pulleys or releasing handle. Flush and dry as stated above. Dry away from solvents and corrosive materials. Do not store at extreme temperatures or with direct exposure to UV. Important: do not put in bag or sealed container until dry.

7. Lifespan

Do not remove or change rope. Certification is based upon using supplied rope. All testing for certification was conducted using kernmantle rope with the same specifications. Using any other rope makes the WingMan non-compliant and may prevent proper locking and release of the WingMan. The manufacturer is not responsible for any other rope in the system.

Send the WingMan to a Harken service center for rope replacement and general inspection every five years. If the WingMan has been stored in direct sunlight so that fading of the rope is evident, return to Harken immediately. If the rope does not pass inspection stop using immediately and send to **Harken service center** for rope replacement.

8. Packaging, Storage, Transportation

Avoid packaging, storing or transporting of the WingMan where it is exposed to these conditions:

- UV rays
- Excessive heat
- Saltwater
- Chemicals including solvents, grease, oil, or corrosive materials

Send the WingMan to a **Harken service center** sooner if the system is stored in direct sunlight for long periods and the rope shows fading.

9. Warranty

Harken guarantees this product for three years against any defects in materials or manufacture. The guarantee does not cover this product from normal wear and tear, oxidation, modification or alteration, incorrect use or storage, poor maintenance, accidental damage, negligence or any usage for which the product was not designed.

Schémas

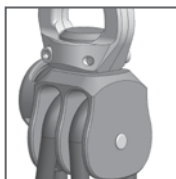
Diagramme

Diagrammi

Diagramas

3.f

Description des pièces
Teilebeschreibung
Descrizione dei particolari
Descripción de las piezas



Extrémité rivetée de l'essieu
 Vernietetes Ende der Achse
 Estremità dell'asse rivettata
 Extremo remachado del eje

Vis de fixation de l'émerillon
 Halteschrauben für Drehringöse
 Viti di ritengo a occhiello orientabile
 Tornillos de sujeción del ojo de pivote

H-86666:

Poulie double avec bride latérale
Doppelblock mit seitlicher Seilöse
Doppia puleggia con arricavo laterale
Polea doble con estrobo lateral

Poignée de déverrouillage
 Auslösegriff
 Maniglia di rilascio
 Manivela de desbloqueo

Poulie double avec galet de déverrouillage
Doppelblock mit Entriegelungsnocke
Doppia puleggia con camma di rilascio
Polea doble con leva de desbloqueo

Extrémité rivetée de l'essieu
 Vernietetes Ende der Achse
 Estremità dell'asse rivettata
 Extremo remachado del eje

Corde de traction
 Zug-/Schleppseil
 Cavo di tiro/rilascio
 Cuerda de tracción/cola

Nœud d'arrêt
 Stopperknoten
 Nudo di fermo
 Nudo de tope

Sac à corde
 Seilbeutel
 Borsa portacavo
 Bolsa portacuerda



Émerillon
 Drehringöse
 Occhiello orientabile
 Ojo de pivote

Couverture de la bride de la corde
 Seilösenabdeckung
 Coperchio dell'arricavo
 Cobertura del estrobo de cuerda

Fin cousue
 Genähtes Ende
 Terminazione cucita
 Terminación cosida

Corde (rouge avec marqueurs
 noirs & blancs)

Seil (rot mit schwarzen und
 weißen Kennfäden)

Cavo (rosso con tracciatori
 in bianco e nero)

Cuerda (roja con trazadores
 blancos y negros)

Réa à cliquet
 Seilrolle mit Ratsche
 Carrucola con nottolino
 Roldana de trinquete

Réa à tendeur
 Seilrolle
 Carrucola tenditore
 Roldana de rodillo

Vis de fixation de l'émerillon
 Halteschrauben für Drehringöse
 Viti di ritengo a occhiello orientabile
 Tornillos de sujeción del ojo de pivote

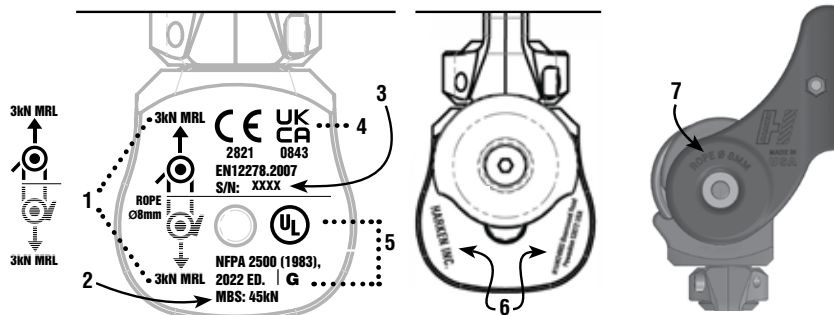
Émerillon
 Drehringöse
 Occhiello orientabile
 Ojo de pivote

3.g

Étiquetage Kennzeichnung Etichettatura Etiquetado

Poulie double avec bride latérale
Doppelblock mit seitlicher Seilöse
Doppia puleggia con arricavo laterale
Polea doble con estrobo lateral

Poulie double avec galet de déverrouillage
Doppelblock mit Entriegelungsnocke
Doppia puleggia con camma di rilascio
Polea doble con leva de desbloqueo



- 1 - Charge nominale maximale
- 2 - Force de rupture minimale
- 3 - Numéro de série
- 4 - Homologation : Poulie double avec bride latérale
- 5 - Homologation : Système entier
- 6 - Fabricant/Adresse
- 7 - Diamètre de corde requis

- 1 - Maximale Nennlast
- 2 - Minimale Bruchfestigkeit
- 3 - Seriennummer
- 4 - Zertifizierung: Doppelblock mit seitlicher Seilöse
- 5 - Zertifizierung: Gesamtes System
- 6 - Hersteller/Adresse
- 7 - Erforderlicher Seildurchmesser

- 1 - Carico nominale max.
- 2 - Carico di rottura min.
- 3 - Numero di serie
- 4 - Certificazione: Doppia puleggia con arricavo laterale
- 5 - Certificazione: Intero sistema
- 6 - Produttore/indirizzo
- 7 - Diametro del cavo necessario

- 1 - Carga nominal máxima
- 2 - Resistencia mínima a la rotura
- 3 - Número de serie
- 4 - Certificación: Polea doble con estrobo lateral
- 5 - Certificación: Sistema entero
- 6 - Fabricante/dirección
- 7 - Diámetro necesario de la cuerda

3.h

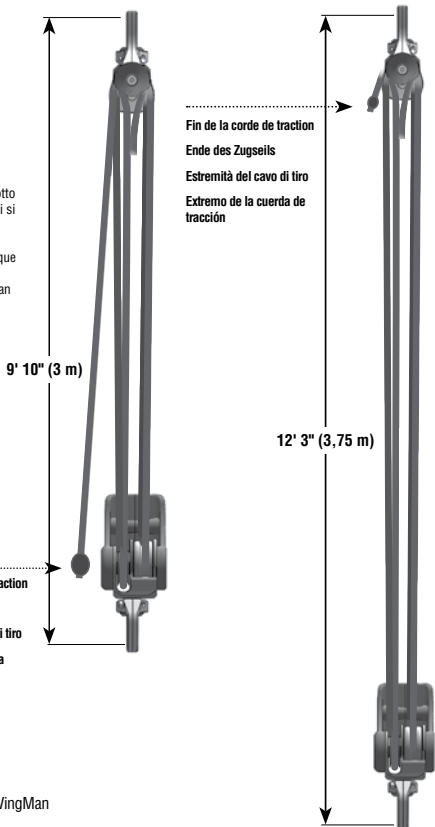
Dimensions Abmessungen Dimensioni Dimensioni

Distance minimale - La distance ci-dessous est la distance minimale à laquelle le WingMan peut fermer.

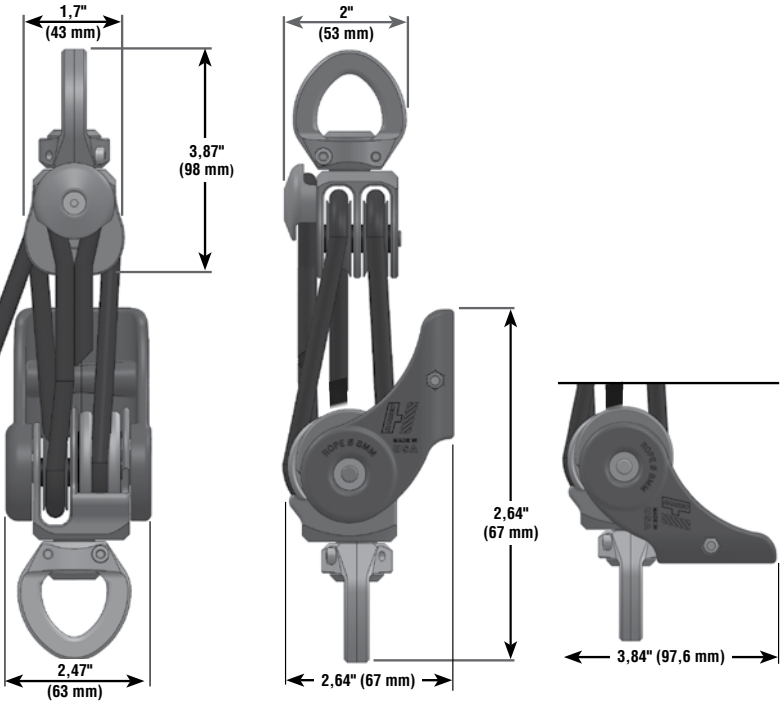
Mindestabstand - Der unten angegebene Abstand ist der Mindestabstand, den WingMan schließen kann.

Distanza minima - La distanza sotto indicata è la distanza minima a cui si può utilizzare il WingMan.

Distancia mínima - La distancia que se menciona a continuación es la distancia mínima a la que WingMan puede cerrarse.



3.h Dimensions (suite)
Abmessungen (Forts.)
Dimensioni (continua)
Dimensiones (continúa)



5.b

Fonctionnement
Bedienung
Funzionamento
Funcionamiento

Ancrage
 Ankaer
 Ancoraggio
 Anclaje

Ancrage
 Anker
 Ancoraggio
 Anclaje



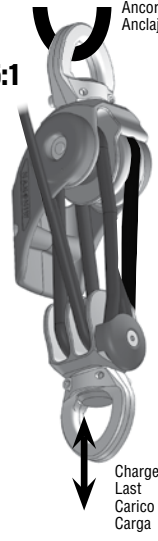
Aide mécanique 4:1.
 Si l'opérateur est la charge, le système devient 5:1.

Übersetzungsverhältnis 4:1.
 Wenn der Bediener die Last ist, hat das System ein 5:1-Übersetzungsverhältnis.

Ausilio meccanico 4:1
 Se il carico è rappresentato dall'operatore, il sistema diventa 5:1.

Ventaja mecánica 4:1.
 Si el operador es la carga, el sistema se convierte en 5:1.

5:1



Aide mécanique 5:1.
 Übersetzungsverhältnis 5:1.

Ausilio meccanico 5:1.

Ventaja mecánica 5:1.



Veillez lire ces instructions attentivement avant d'installer, d'entretenir ou d'utiliser l'équipement. Ce manuel peut être modifié sans préavis. En cas de traduction de ce manuel, la version anglaise est définitive. Pour la dernière révision du manuel, rendez-vous sur harkenindustrial.com/en/product-support/

1. À propos de ce manuel

Avant et après l'utilisation du WingMan d'Harken, lisez attentivement les instructions incluses dans ce manuel. Ce manuel d'instructions fait partie intégrante du produit, et il fournit toutes les informations nécessaires pour une utilisation, une maintenance et un stockage adéquats. Si vous ne comprenez pas certaines de ces instructions, veuillez contacter le distributeur agréé Harken. Harken n'est pas responsable des dégâts, blessures, ou décès

VEUILLEZ CONSERVER CES INSTRUCTIONS

liés au non-respect de la sécurité et d'autres instructions contenues dans ce manuel. Ce manuel s'adresse au personnel spécialisé ou aux utilisateurs experts.

Gardez les instructions/informations d'utilisateur après qu'elles aient été séparées du système fabriqué et archivez-les de façon permanente. Copiez les instructions/informations d'utilisateur et gardez-les avec l'équipement.

2. Information de sécurité

a) Précautions générales de sécurité :



AVERTISSEMENT ! Les activités impliquant l'utilisation de cet équipement sont par nature dangereuses. Vous êtes responsable de vos propres actions et décisions.



AVERTISSEMENT ! Ce produit doit être utilisé uniquement par des personnes compétentes ou des utilisateurs experts.



AVERTISSEMENT ! Avant d'utiliser cet équipement, vous devez :

1. Lire et comprendre toutes les instructions d'utilisation
2. Suivre une formation spécifique sur sa bonne utilisation
3. Vous familiariser avec ses capacités et limites
4. Comprendre et accepter les risques encourus



AVERTISSEMENT ! Tout manquement à l'un de ces avertissements peut entraîner de graves blessures ou la mort.

b) Utilisation prévue :

Le WingMan est un dispositif d'aide mécanique pour le levage et le largage de charge. Il est utilisé dans la protection anti-chute ou dans les systèmes de travail en hauteur. Il est conçu pour le travail en hauteur, l'accès et l'utilisation de secours. Il peut être utilisé pour une suspension humaine jusqu'à une charge de 3 kN.

c) Utilisation inappropriée :

Utilisez uniquement avec la corde fournie. N'utilisez jamais avec une corde ou un câble métallique. N'utilisez jamais comme un système de suspension humaine lorsque le WingMan est l'unique support. Prévoyez toujours un système de sécurité de secours.

d) Équipement de protection individuelle :

Le port de gants est recommandé. Tout EPI doit être certifié et marqué selon les réglementations nationales en vigueur.

e) Risques :



AVERTISSEMENT ! Risque de blessures ou de mort à la suite d'une chute de hauteur ou de la chute d'objets.



AVERTISSEMENT ! Risque de happement par des pièces en rotation.

Portez toujours des vêtements et des gants de protection, si possible, qui sont moulés. Évitez les gants ou les vêtements amples.

3. Description du produit et Composants

a) Description

Le WingMan IN404 est un système d'aide mécanique comprenant deux poulies à émerillon et une corde fournie par le fabricant. Une poulie est double avec une bride pour terminer la corde. L'autre poulie est double avec un cliquet et un réa à galet et est équipée d'une poignée de déverrouillage permettant un relâchement graduel du système d'aide mécanique avec charge. La poignée de déverrouillage se situe au niveau de l'opérateur.

b) Matériaux des composants

De l'aluminium anodisé est utilisé dans l'ensemble des poulies. La poignée est en fibre de verre renforcée en nylon. La corde est en polyester statique de 8 mm avec une fin cousue et ne doit pas être remplacée. Les poulies ont des essieux et des fixations en acier inoxydable. Le mécanisme à cliquet est en acier inoxydable.

3. Description du produit et Composants (suite)

c) Homologation

Le WingMan est certifié comme système comprenant deux poulies, une corde et un raccord à corde. Le système est certifié selon les normes suivantes.



RESPECTE LES EXIGENCES DE SYSTÈME DU FABRICANT DU NFPA 1983, INCORPORÉ DANS L'ÉDITION 2022 DU NFPA 2500.

NE PAS DÉMONTER.

Des informations supplémentaires au sujet des systèmes fabriqués peuvent être consultées dans le NFPA 1500 et le NFPA 1858 et le NFPA 1983, incorporé dans l'édition 2022 du NFPA 2500 / G utilisation générale MBS 45 kN.

La partie de blocage de la double bride H-86666 du WingMan est certifiée CE et UKCA.



H-86666



H-86666 Poulie double avec bride latérale

Homologation : EN 12278.2007

Cette poulie est conçue pour être utilisée dans un système pour éviter toute chute de hauteur. Lorsque cela est requis, ce produit doit être utilisé avec un système anti-chute global en accord avec l'EN 363 et un harnais anti-chute respectant l'EN361.

Règlements sur l'équipement de protection individuelle (règlement 2016/425) et Règlements sur l'équipement de protection individuelle (Mise en vigueur) 2018, telles que modifiées.

Pour la Déclaration de conformité, consultez www.harkenindustrial.com

Laboratoire pour homologation des EPI (Module B):

UL International (Netherlands) B.V.
Westervoortsedijk 60, 6827AT Arnhem,
Pays-Bas

Laboratoire pour homologation UKCA (Module B):

UL International (Royaume-Uni) Ltd –
Kingsland Business Park, Unit 1-3 Horizon, Wade Rd,
Basingstoke RG24 8AH,
Royaume-Uni

d) Numéro de pièce et classification de charge (spécifications) e) Compatibilité (sélection d'autres composants pour le système)

Numéro de pièce - IN404

Charge nominale maximale	3 kN	674 lbf
Force de rupture minimale	45 kN	10 116 lbf

Les limites de charge ci-dessus se basent sur l'utilisation de la corde Harken fournie. Tout changement aux spécifications de la corde modifie les limites.

Les raccords et les composants doivent aussi respecter les règles et règlements anti-chute des autorités de réglementation compétentes. Les dispositifs de raccord doivent être verrouillables et capables de supporter au moins 22 kN (5 000 lb).



AVERTISSEMENT ! Ne dépassez pas la charge nominale maximale.

3.f Description des pièces - Se référer à l'illustration à la page 17

3.g Étiquetage - Se référer aux illustrations à la page 18

3.h Dimensions - Se référer aux illustrations aux pages 18 et 19

4. Prérequis et limites de l'utilisation prévue

a) Conditions atmosphériques

Température opérationnelle entre -10° C et +40° C (14° F et 104° F). Les conditions humides et la glace peuvent affecter la fonction de l'appareil. Une exposition prolongée à la poussière, à la glace et à d'autres particules peut entraîner des dégâts sur le WingMan et doit être retirée avant utilisation.

5. Utilisation

a) Inspection avant chaque utilisation

Inspectez attentivement les éléments suivants avant d'utiliser le WingMan. Corrigez les problèmes avant utilisation. Voir la description des pièces à la page 17 et le formulaire d'inspection à la page 26.

Composant	Inspection	Action si incorrect
Émerillons	Assurez-vous que l'émerillon tourne librement. Un manque de rotation peut indiquer une surcharge.	Retirez du service. Envoyez au service après-vente d'Harken.
Émerillons	Vérifiez qu'il n'y ait pas de signe d'usure sur la partie du roulement de la charge de l'émerillon pour chaque poulie.	Retirez du service. Envoyez au service après-vente d'Harken.
Vis de fixation de l'émerillon	Vérifiez qu'il n'y ait pas de vis lâches.	Retirez du service. Envoyez au service après-vente d'Harken.
Extrémité rivetée de l'essieu	Assurez-vous que le rivet est fixé et non lâche.	Retirez du service. Envoyez au service après-vente d'Harken.
Corps de la poulie	Inspectez le corps en aluminium de la poulie pour vérifier qu'il n'y ait pas de craquelures, d'usure ou de corrosion.	Retirez du service. Envoyez au service après-vente d'Harken.
Fonctionnement du réa	Assurez-vous que le réa tourne librement. Assurez-vous que le réa à cliquet tourne dans une direction et s'arrête dans l'autre direction. Le réa à cliquet doit faire un son de cliquetis lorsqu'il tourne.	Suivez la maintenance indiquée dans ce manuel et vérifiez à nouveau. S'il ne tourne toujours pas librement, retirez du service. Envoyez au service après-vente d'Harken.
Poignée de déverrouillage	Assurez-vous que la poignée de déverrouillage bloque la corde lorsque la poignée est totalement relâchée. Assurez-vous que le mouvement du ressort ferme bien la poignée.	Retirez du service. Envoyez au service après-vente d'Harken.
	Inspectez la poignée pour vérifier qu'il n'y ait aucune craquelure ou séparation entre les moitiés.	Retirez du service. Envoyez au service après-vente d'Harken.
Fin cousue de la corde	Vérifiez la boucle cousue pour vous assurer qu'il n'y ait pas de signe d'effilochage ou de dégât. Inspectez la couverture de la bride de la corde pour vous assurer que la vis est serrée et verrouillée à l'aide d'un dispositif de verrouillage par filetage.	Retirez du service. Envoyez au service après-vente d'Harken.
Corde	Vérifiez qu'il n'y ait pas d'abrasion, de dégât lié aux UV, de moisissure, d'exposition à des produits chimiques, de la graisse ou de la chaleur excessive.	Retirez du service. Envoyez au service après-vente d'Harken.
Nœud d'arrêt de la corde	Assurez-vous qu'il y ait un nœud d'arrêt au bout de la corde de traction.	Serrez le nœud de baril et couvrez avec un film plastique rétractable propre.
Passage de corde	Assurez-vous que les filaments de la corde ne sont pas croisés ou entremêlés. Cela peut arriver si la poulie est renversée pendant la manipulation.	Faites tourner la poulie via les filaments pour corriger le problème. Voir le schéma dans la partie 3.
	Assurez-vous que la corde passe par tous les réas. L'extrémité de traction de la corde doit sortir de la poulie double avec bride.	Faites passer la corde à travers le dernier réa et assurez-vous que l'arrêt cousu est en place.

5. Utilisation (suite)

b) Fonctionnement

Test de fonction - Avant chaque utilisation, vérifiez que l'appareil fonctionne correctement. Prévoyez toujours un système de sécurité de secours. Ancrez une extrémité et appliquez graduellement la charge au WingMan. Assurez-vous que la corde est verrouillée dans la poulie double avec la poignée de déverrouillage. Tenez l'extrémité de la corde à une main, puis avec l'autre, ouvrez lentement la poignée pour permettre à la corde de passer au travers et à la charge de commencer à s'abaisser. Réduisez la pression sur la poignée afin qu'elle puisse fermer et assurez-vous que la corde se verrouille. Avec une charge modérée sur le système, ouvrez la poignée et assurez-vous que la poignée se ferme bien. Tirez sur la corde de traction et assurez-vous que les réas tournent librement et que vous entendez bien un cliquetis.

Configuration - Fixez une extrémité à un ancrage ou à un point d'ancrage de pleine force appropriée sur le harnais. Gardez la poignée de déverrouillage à portée de l'opérateur.

Selon l'orientation, le WingMan peut être utilisé comme un système d'aide mécanique 4:1 ou un système d'aide mécanique 5:1.

Aide mécanique 4:1 - Si la poulie double avec bride est attachée à l'ancrage de manière à ce que la double avec poignée de déverrouillage soit une charge déplaçable, et si l'opérateur n'est pas la charge déplaçable, le système fournit une aide mécanique 4:1. Si l'opérateur est la charge déplaçable, le système devient 5:1.

Aide mécanique 5:1 - Si la poulie double avec poignée de déverrouillage est attachée à l'ancrage et la double avec bride est une charge déplaçable, le système fournit une aide mécanique 5:1. Remarque : la poignée doit être à la portée de l'opérateur.

5.b Fonctionnement - Se référer à l'illustration à la page 19



Abaissement - Pour abaisser la charge, ouvrez délicatement la poignée de déverrouillage tout en tirant sur la corde de traction. Ouvrez la poignée jusqu'à ce que vous commenciez à sentir une certaine pression puis augmentez la pression si nécessaire au fur et à mesure pour commencer à abaisser. Utilisez la combinaison de relâchement de la poignée et de la traction pour contrôler le taux de descente.



Pour arrêter la descente, réduisez la pression sur la poignée pour qu'elle puisse fermer et se verrouiller. Relâcher totalement la poignée va arrêter immédiatement l'action d'abaissement.

5. Utilisation (suite)



Élévation - Soulevez en tirant une main après l'autre. Une fois à l'arrêt (la main quitte la corde de traction), assurez-vous que la charge soit fixée à un attelage de blocage se terminant par un nœud de sécurité. Assurez-vous de ne pas fixer ni d'interférer avec la poignée de déverrouillage.

Se garer en élevant ou en abaissant - Une fois à l'arrêt (la main quitte la corde de traction), assurez-vous que la charge soit fixée à un attelage de blocage se terminant par un nœud de sécurité.

IMPORTANT ! - Ne fixez pas à la poignée de déverrouillage et n'interférez pas avec le fonctionnement de la poignée de déverrouillage.



Poulies fixées pour le stockage

IMPORTANT ! - Une fois l'utilisation du système WingMan terminée, tirez délicatement les deux poulies ensemble pour éviter des enchevêtrements pendant le transport et le stockage. Pour tirer le système d'aide mécanique ensemble, fixez une extrémité du WingMan et maintenez une pression sur l'émerillon de l'autre côté tout en tirant sur la partie de traction.

5. Utilisation (suite)

c) Secours

Vous devez avoir un plan de secours et les moyens de le mettre rapidement en place en cas de difficultés rencontrées pendant l'utilisation de cet équipement.

d) Température de fonctionnement

-10° C et +40° C
(14° F et 104° F)

Utilisez, stockez et transportez le WingMan là où il sera protégé des flammes ou des hautes températures.



AVERTISSEMENT ! Évitez toute exposition du WingMan aux flammes ou aux fortes températures. Il peut fondre ou brûler et mal fonctionner s'il est exposé aux flammes ou à des fortes températures, ce qui peut entraîner de graves blessures ou la mort.

e) Retrait du service

Si le WingMan a été sujet à des forces d'arrêt de chute, il doit être immédiatement retiré du service. Le produit peut être sévèrement endommagé s'il est exposé à des agents chimiques, la chaleur, l'abrasion et il doit être retiré du service en cas de doute au sujet de sa sécurité. En cas de doute, vérifiez avec Harken Industrial.

6. Maintenance

Ne démontez pas le WingMan. En cas d'encrassement ou d'exposition à l'eau salée, rincez à l'eau tiède propre (température maximale de 25° C) avec un produit non détergent à dilution appropriée (fourchette de pH entre 5,5 et 8,5), et rincez minutieusement. Lorsque l'équipement devient mouillé, à cause de son utilisation ou du nettoyage, on doit le laisser sécher à l'air libre, et il doit être protégé de toute chaleur directe. Une légère corrosion de la surface peut être éliminée avec une brosse métallique (aucun outil électrique). Retirez si la corrosion est importante.

N'utilisez aucune lubrification sur les poulies ou la poignée de déverrouillage. Lavez et laissez sécher comme indiqué ci-dessus. Laissez sécher à l'abri des solvants et des matériaux corrosifs. Ne stockez pas à des températures extrêmes ou avec une exposition directe aux UV. Important : ne pas mettre dans un sac ou un conteneur scellé tant qu'il n'est pas sec.

8. Emballage, stockage, transport

Évitez l'emballage, le stockage ou le transport du WingMan là où il est exposé à ces conditions :

- Rayons UV
- Chaleur excessive
- Eau salée
- Produits chimiques incluant les solvants, la graisse, l'huile ou les matériaux corrosifs

Envoyez le WingMan à un **service après-vente d'Harken** plus tôt si le système est stocké directement au soleil pendant de longues périodes et si la corde commence à se décolorer.

7. Durée de vie

Ne retirez pas et ne changez pas la corde. L'homologation se base sur l'utilisation de la corde fournie. Tous les tests pour l'homologation ont été effectués à l'aide d'une corde tressée standard avec les mêmes spécifications. L'utilisation d'une autre corde rend le WingMan non-conforme et peut empêcher un bon verrouillage et déverrouillage du WingMan. Le fabricant n'est pas responsable de toute autre corde dans le système.

Envoyez le WingMan au service après-vente d'Harken pour remplacer la corde et faire une inspection générale tous les cinq ans. Si le WingMan a été stocké directement au soleil jusqu'à décoloration évidente de la corde, renvoyez à Harken immédiatement. Si la corde ne passe pas l'inspection, arrêtez de l'utiliser immédiatement et envoyez-la au **service après-vente d'Harken** pour la faire remplacer.

9. Garantie

Harken garantit ce produit pendant trois ans contre tout défaut de matériau ou de fabrication. La garantie ne couvre pas ce produit de l'usure et des fissures normales, de l'oxydation, des modifications ou des altérations, de l'utilisation ou du stockage inapproprié(e), d'un mauvais entretien, des dégâts accidentels, de la négligence ou de toute autre utilisation pour laquelle le produit n'est pas conçu.



Bitte lesen Sie diese Anleitung sorgfältig durch, bevor Sie das Gerät installieren, warten oder in Betrieb nehmen. Diese Anleitung kann ohne Vorankündigung geändert werden. Falls diese Anleitung übersetzt wird, ist die englische Fassung maßgebend. Die neueste Version der Anleitung finden Sie unter harkenindustrial.com/de/product-support/

1. Über diese Anleitung

Lesen Sie vor und nach dem Gebrauch des Harken WingMan die Anweisungen in dieser Anleitung sorgfältig durch. Diese Anleitung ist integraler Bestandteil des Produkts und hat den Zweck, alle für dessen korrekte und gefahrlose Benutzung, sachgemäße Wartung und Lagerung notwendigen Informationen zu liefern. Sollten die Anweisungen nicht verständlich sein, wenden Sie sich bitte an den von Harken autorisierten Fachhändler. Harken haftet nicht für Schäden, Verletzungen oder Todesfälle, die durch Nichtbeachtung der in dieser Anleitung enthaltenen

Sicherheits- und sonstigen Anweisungen verursacht werden. Diese Anleitung ist für Fachpersonal oder erfahrene Benutzer bestimmt.

Bewahren Sie die Bedienungsanleitung/Informationen nach der Trennung vom Produkt auf und bewahren Sie sie dauerhaft auf. Kopieren Sie die Bedienungsanleitung/Informationen und bewahren Sie sie zusammen mit dem Gerät auf.

2. Sicherheitshinweise

a) Allgemeine Sicherheitsvorkehrungen:



ACHTUNG! Tätigkeiten, bei denen diese Geräte verwendet werden, sind von Natur aus gefährlich. Sie sind für Ihre eigenen Handlungen und Entscheidungen verantwortlich.



ACHTUNG! Bevor Sie dieses Gerät benutzen, müssen Sie:

1. alle Bedienungsanweisungen lesen und verstehen,
2. eine spezielle Schulung zur ordnungsgemäßen Verwendung des Geräts erhalten,
3. sich mit den Möglichkeiten und Grenzen des Geräts vertraut machen,
4. die damit verbundenen Risiken verstehen und akzeptieren.



ACHTUNG! Dieses Produkt darf nur von sachkundigen Personen oder fachkundigen Benutzern verwendet werden.



ACHTUNG! Die Nichtbeachtung eines dieser Warnhinweise kann zu schweren Verletzungen oder zum Tod führen.

b) Verwendungszweck:

WingMan ist ein Flaschenzug zum Heben und Senken von Lasten. Er wird in einem Absturzsicherungssystem oder bei Arbeiten in der Höhe verwendet. Er ist für Arbeiten in der Höhe, für den Zugang und für Rettungseinsätze vorgesehen. Er kann für die Aufhängung von Personen bis zu einer Last von 3 kN verwendet werden.

c) Unsachgemäße Verwendung:

Nur mit dem mitgelieferten Seil verwenden. Niemals mit Drahtseilen oder Stahlseilen verwenden. Niemals als Aufhängevorrichtung für Personen verwenden, wenn WingMan die einzige tragende Komponente ist. Stets ein zusätzliches Sicherheitssystem vorsehen.

d) Persönliche Schutzausrüstung:

Das Tragen von Handschuhen wird empfohlen. Alle PSA müssen gemäß den geltenden einschlägigen nationalen Verordnungen zertifiziert und gekennzeichnet sein.

e) Risiken:



ACHTUNG! Verletzungen oder Tod durch Sturz aus der Höhe oder durch herabfallende Gegenstände sind möglich.



ACHTUNG! Gefahr des Einklemmens durch sich drehende Teile.

Stets Kleidung und gegebenenfalls Schutzhandschuhe tragen, die gut sitzen. Lose Handschuhe oder Kleidung vermeiden.

3. Produktbeschreibung und Komponenten

a) Beschreibung

Der IN404 WingMan ist ein Flaschenzug, der aus zwei drehbaren Blöcken und einem vom Hersteller gelieferten Seil besteht. Ein Block ist ein Doppelblock mit einer Seilöse, um das Seilende zu befestigen. Der andere Block ist ein Doppelblock mit Ratsche und Nockenseilrolle, die mit einem Auslösegriff versehen ist, der ein schrittweises Freigeben des Flaschenzugs unter Last ermöglicht. Der Auslösegriff befindet sich auf der Bedienerseite.

b) Materialien der Komponenten

Für die Blöcke wird durchweg eloxiertes Aluminium verwendet. Der Griff besteht aus glasfaserverstärktem Nylon. Das Seil ist ein 8 mm starkes statisches Polyesterseil mit vernähtem Seilende und darf nicht ersetzt werden. Die Blöcke haben Achsen und Befestigungselemente aus Edelstahl. Der Ratschenmechanismus besteht aus rostfreiem Stahl.

3. Produktbeschreibung und Komponenten (Forts.)

c) Zertifizierung

WingMan ist als System mit zwei Blöcken, Seil und Seilverbinding zertifiziert. Das System ist nach den folgenden Normen zertifiziert.



ERFÜLLT DIE ANFORDERUNGEN VON NFPA 1983 FÜR GEFERTIGTE SYSTEME, DIE IN DER AUSGABE 2022 DER NFPA 2500 ENTHALTEN SIND.

NICHT ZERLEGEN.

Zusätzliche Informationen über gefertigte Systeme finden sich in NFPA 1500, NFPA 1858 und NFPA 1983, die in der Ausgabe 2022 von NFPA 2500 / General Use MBS 45 kN enthalten sind.

Das Bauteil H-86666 Doppelblock mit Seilöse des WingMan ist CE- und UKCA-zertifiziert.



H-86666



H-86666 Doppelblock mit seitlicher Seilöse

Zertifizierung: EN 12278.2007

Dieser Flaschenzug ist für die Verwendung in einem System zur Verhinderung eines Absturzes aus der Höhe vorgesehen. Bei Bedarf muss dieses Produkt mit einem umfassenden Absturzicherungssystem gemäß EN 363 und einem Auffanggurt, der EN 361 entspricht, verwendet werden.

Verordnung über persönliche Schutzausrüstungen (Verordnung 2016/425) und Verordnung über persönliche Schutzausrüstungen (Durchsetzung) 2018 in ihrer geänderten Fassung.

Die Konformitätserklärung finden Sie unter www.harkenindustrial.com.

Labor für PSA-Zertifizierung (Modul B):

UL International (Netherlands) B.V.
Westervoortsewijk 60, 6827AT Arnhem,
Niederlande

Labor für UKCA-Zertifizierung (Modul B):

UL International (UK) Ltd –
Kingsland Business Park, Unit 1-3 Horizon, Wade Rd,
Basingstoke RG24 8AH,
Großbritannien

d) Teilenummer und Belastbarkeit (technische Daten)

Teilenummer - IN404

Maximale Nennlast	3 kN	674 lbf
Minimale Bruchfestigkeit	45 kN	10116 lbf

Die oben genannten Belastungsgrenzen basieren auf der Verwendung des von Harken gelieferten Seils. Jede Änderung der technischen Daten des Seils verändert die Grenzwerte.

e) Kompatibilität (Auswahl der anderen Komponenten für das System)

Anschlagpunkte und Komponenten müssen auch die Absturzicherungsvorschriften und -verordnungen der zuständigen Aufsichtsbehörden erfüllen. Die Anschlagpunkte müssen verriegelbar sein und mindestens 22 kN (5000 lb) aufnehmen können.



ACHTUNG! Maximale Nennlast nicht überschreiten.

3.f Teilebeschreibung - siehe Abbildung auf Seite 17

3.g Kennzeichnung - siehe Abbildungen auf Seite 18

3.h Abmessungen - siehe Abbildungen auf den Seiten 18 und 19

4. Voraussetzungen und Grenzen des Verwendungszwecks

a) Atmosphärische Bedingungen

Temperatur für Verwendung zwischen -10 °C und +40 °C (14 °F and 104 °F). Nässe und Eis können die Funktion des Gerätes beeinträchtigen. Wenn WingMan längere Zeit Staub, Eis oder anderen Partikeln ausgesetzt ist, kann er beschädigt werden. Diese Ablagerungen müssen vor dem Gebrauch entfernt werden.

5. Verwendung

a) Inspektion vor jeder Verwendung

Vor der Verwendung des WingMan folgende Punkte sorgfältig prüfen. Probleme vor der Verwendung beheben. Siehe Teilebeschreibung auf Seite 17 und Inspektionsformular auf Seite 34.

Komponente	Inspektion	Maßnahmen, wenn nicht korrekt
Drehringösen	Sicherstellen, dass sich das Drehgelenk frei dreht. Fehlende Rotation kann auf Überlastung hindeuten.	Außer Betrieb nehmen. An das Harken Service Center einschicken.
Drehringösen	Die Abnutzung des tragenden Teils der Öse jedes Blocks überprüfen.	Außer Betrieb nehmen. An das Harken Service Center einschicken.
Halteschrauben für Drehringöse	Auf lose Schrauben prüfen.	Außer Betrieb nehmen. An das Harken Service Center einschicken.
Vernietetes Ende der Achse	Sicherstellen, dass die Niete fest sitzt und nicht locker ist.	Außer Betrieb nehmen. An das Harken Service Center einschicken.
Block	Den Aluminiumkörper des Blocks auf Risse, Verschleiß oder Korrosion untersuchen.	Außer Betrieb nehmen. An das Harken Service Center einschicken.
Funktion der Seilrolle	Sicherstellen, dass die Seilrollen frei rollen. Sicherstellen, dass die Seilrolle mit Ratsche in eine Richtung frei läuft und in der anderen Richtung stoppt. Die Seilrolle mit Ratsche muss beim Drehen ein klickendes Geräusch machen.	Wartungsarbeiten gemäß den Anweisungen in dieser Anleitung durchführen und erneut überprüfen. Wenn sie immer noch nicht frei rollt, außer Betrieb nehmen. An das Harken Service Center einschicken.
Auslösegriff	Sicherstellen, dass der Auslösegriff das Seil blockiert, wenn der Griff vollständig losgelassen wird. Sicherstellen, dass die Federkraft den Griff gut schließt.	Außer Betrieb nehmen. An das Harken Service Center einschicken.
	Den Griff auf Risse, Abnutzung oder Trennung zwischen den Hälften untersuchen.	Außer Betrieb nehmen. An das Harken Service Center einschicken.
Genähtes Seilende	Die genähte Schlaufe auf Anzeichen von Auflösungserscheinungen oder Beschädigungen überprüfen. Die Seilösenabdeckung überprüfen, um sicherzustellen, dass die Schraube fest sitzt und mit Schraubensicherungsmittel gesichert ist.	Außer Betrieb nehmen. An das Harken Service Center einschicken.
Seil	Auf Abrieb, UV-Schäden, Schimmel, Einwirkung von Chemikalien, Fett oder übermäßige Hitze prüfen.	Außer Betrieb nehmen. An das Harken Service Center einschicken.
Stopperknoten des Seils	Sicherstellen, dass sich am freien Ende des Zugseils ein Stopperknoten befindet.	Einen Blutknoten binden und mit durchsichtiger Schrupffolie umwickeln.
Einscheren des Seils	Darauf achten, dass sich die Seilstränge nicht überkreuzen oder verheddern. Dies kann passieren, wenn der Block bei der Handhabung umgedreht wird.	Den Block durch die Seilstränge drehen, um das Problem zu beheben. Siehe Diagramm in Teil 3.
	Sicherstellen, dass das Seil durch alle Seilrollen eingesichert ist. Das Zug-/Schleppseilende des Seils muss aus dem Doppelblock mit Seilöse austreten.	Das Seil durch die letzte Seilrolle führen und sicherstellen, dass der genähte Stopp an seinem Platz ist.

5. Verwendung (Forts.)

b) Bedienung

Funktionsprüfung - Vor jeder Verwendung ist zu prüfen, ob das Gerät ordnungsgemäß funktioniert. Stets ein zusätzliches Sicherheitssystem verwenden. Ein Ende verankern und den WingMan allmählich belasten. Sicherstellen, dass das Seil im Doppelblock mit Auslösegriff verriegelt ist. Das laufende Ende des Seils mit einer Hand festhalten und dann mit der anderen Hand langsam den Griff öffnen, damit das Seil durchlaufen kann und die Last mit dem Absenken beginnt. Leichten Druck auf den Griff ausüben, damit er sich schließt, und sicherstellen, dass das Seil einrastet. Bei mäßiger Belastung des Systems den Griff öffnen und sicherstellen, dass der Griff einrastet. Am Zug-/Schleppseil ziehen und sicherstellen, dass sich die Seilrollen frei drehen und ein Klickgeräusch zu hören ist.

Vorbereitung - Ein Ende an einem Anker oder einem geeigneten Verankerungspunkt mit ausreichender Belastbarkeit am Gurt befestigen. Den Auslösegriff in Reichweite des Bedieners halten.

Je nach Ausrichtung kann der WingMan als Flaschenzug mit einem Übersetzungsverhältnis von 4:1 oder 5:1 verwendet werden.

Übersetzungsverhältnis 4:1 - Wenn der Doppelblock mit Seilöse so am Anker befestigt ist, dass der Doppelblock mit Auslösegriff die bewegliche Last ist, und wenn der Bediener nicht die bewegliche Last ist, hat das System ein Übersetzungsverhältnis von 4:1. Wenn der Bediener die bewegliche Last ist, hat das System ein Übersetzungsverhältnis von 5:1.

Übersetzungsverhältnis 5:1 - Wenn der Doppelblock mit Auslösegriff am Anker befestigt ist und der Doppelblock mit Seilöse die bewegliche Last ist, hat das System ein Übersetzungsverhältnis von 5:1. Hinweis: Der Griff muss in Reichweite des Bedieners sein.

5.b Bedienung - siehe Abbildung auf Seite 19



Absenken - Um die Last abzusenken, den Auslösegriff vorsichtig öffnen, während das Zug-/Schleppseil sicher gespannt geführt wird. Den Griff öffnen, bis ein leichter Druck zu spüren ist, dann den Druck langsam erhöhen, um mit dem Absenken zu beginnen. Durch die Kombination von Auslösen des Griffs und Spannen lässt sich die Absenkgeschwindigkeit steuern.



Um das Absenken zu stoppen, den Griff leicht drücken, damit er sich schließt und verriegelt. Durch vollständiges Loslassen des Griffs wird der Absenkvorgang sofort gestoppt.

5. Verwendung (Forts.)



Anheben - Anheben durch Ziehen von Hand über Hand. Wenn angehalten wird (die Hand verlässt das Zug-/Schleppseil), sicherstellen, dass die Last mit einer Umwicklung blockiert und die Blockierung mit einem Sicherheitsknoten gesichert wird. Sicherstellen, dass nichts am Auslösegriff befestigt bzw. dieser nicht behindert wird.

Anhalten beim Anheben oder Absenken - Beim Anhalten (die Hand verlässt das Zug-/Schleppseil) sicherstellen, dass die Last mit einer Umwicklung blockiert und die Blockierung mit einem Sicherheitsknoten gesichert wird.

WICHTIG! - Die Funktionsweise des Auslösegriffs nicht blockieren oder behindern.



Blöcke zur Lagerung gesichert

WICHTIG! - Wenn Sie mit der Verwendung des WingMan-Systems fertig sind, die beiden Blöcke vorsichtig zusammenziehen, um ein Verheddern während des Transports und der Lagerung zu vermeiden. Um den Flaschenzug zusammenzuziehen, ein Ende des WingMan sichern und Druck auf die Drehringöse des anderen Endes aufrechterhalten, während am Zugseil gezogen wird.

5. Verwendung (Forts.)

c) Rettungseinsatz

Sie müssen einen Rettungsplan haben und über die Mittel verfügen, um ihn im Falle von Schwierigkeiten bei der Verwendung dieses Geräts schnell umzusetzen.

d) Betriebstemperatur

-10 °C und +40 °C
(14 °F und 104 °F)

Den Wingman an einer Stelle, an der er vor Flammen oder hohen Temperaturen geschützt ist, verwenden, lagern und transportieren.



ACHTUNG! Der Wingman darf weder Flammen noch hohen Temperaturen ausgesetzt werden. Er könnte schmelzen oder verbrennen und ausfallen, wenn er einer Flamme oder hohen Temperatur ausgesetzt wird, was zu schweren Verletzungen oder zum Tod führen kann.

e) Außerbetriebsetzung

Wenn der WingMan den Kräften beim Auffangen eines Sturzes ausgesetzt war, muss er sofort außer Betrieb genommen werden. Das Produkt kann schwer beschädigt werden, wenn es chemischen Reagenzien, Hitze und Abrieb ausgesetzt wird, und muss aus dem Betrieb genommen werden, wenn Zweifel an der sicheren Funktionsweise bestehen. Im Zweifelsfall bei Harken Industrial nachfragen.

6. Wartung

Den WingMan nicht zerlegen. Bei Verschmutzung oder Aussetzung gegenüber Meerwasser in sauberem, warmem Wasser (Höchsttemperatur 25 °C) mit einer waschmittelfreien Lösung in geeigneter Verdünnung (pH-Wertebereich 5,5–8,5) abspülen und gründlich nachspülen. Wenn die Ausrüstung nass wird – entweder durch den Gebrauch oder durch die Reinigung – muss sie an der Luft trocknen und vor direkter Hitze geschützt werden. Leichte Oberflächenkorrosion kann mit einer Drahtbürste entfernt werden (keine Elektrowerkzeuge). Bei starker Korrosion aus dem Verkehr ziehen.

Keine Schmiermittel irgendwelcher Art auf den Blöcken oder dem Auslösegriff verwenden. Spülen und Trocknen wie oben beschrieben. Fern von Lösungsmitteln und ätzenden Stoffen trocknen lassen. Nicht bei extremen Temperaturen oder unter direkter UV-Einwirkung lagern. Wichtig: Erst nach dem Trocknen in einen Beutel oder versiegelten Behälter geben.

8. Verpackung, Lagerung und Transport

Vermeiden Sie es, den WingMan an Stellen zu verpacken, zu lagern oder zu transportieren, an denen er folgenden Bedingungen ausgesetzt ist:

- UV-Strahlung
- Übermäßiger Hitze
- Meerwasser
- Chemikalien, einschließlich Lösungsmittel, Fetten, Ölen oder korrosiven Stoffen

Schicken Sie den WingMan früher zu einem **Harken Service Center** ein, wenn das System längere Zeit in direktem Sonnenlicht gelagert wurde und das Seil ausbleicht.

7. Lebensdauer

Das Seil darf nicht entfernt oder ausgetauscht werden. Die Zertifizierung basiert auf der Verwendung des mitgelieferten Seils. Alle Prüfungen für die Zertifizierung wurden mit Kernmantelseilen mit denselben Spezifikationen durchgeführt. Die Verwendung eines anderen Seils macht den WingMan nicht konform und kann die korrekte Verriegelung und Freigabe des WingMan verhindern. Der Hersteller ist nicht verantwortlich für andere Seile im System.

Schicken Sie den WingMan alle fünf Jahre zum Seilwechsel und zur allgemeinen Inspektion an ein Harken Service Center ein. Wurde der WingMan in direktem Sonnenlicht gelagert, so dass ein Ausbleichen des Seils erkennbar ist, ist er unverzüglich an Harken zurückzuschicken. Wenn das Seil die Inspektion nicht besteht, darf es nicht mehr verwendet werden. Schicken Sie das Seil an das **Harken Service Center** ein, um es ersetzen zu lassen.

9. Garantie

Harken gewährt für dieses Produkt eine dreijährige Garantie gegen Material- und Herstellungsfehler. Die Garantie erstreckt sich nicht auf normale Abnutzung, Oxidation, Modifikation oder Veränderung, unsachgemäßen Gebrauch oder mangelhafte Lagerung, mangelhafte Wartung, Unfallschäden, Fahrlässigkeit oder eine Verwendung, für die das Produkt nicht konzipiert wurde.



Leggere attentamente queste istruzioni prima di installare, mantenere o far funzionare l'apparecchiatura. Questo manuale può subire modifiche senza preavviso. Se questo manuale è tradotto, farà fede la versione in lingua inglese. Per vedere l'ultima revisione del manuale, andare su harkenindustrial.com/en/product-support/

1. Informazioni su questo manuale

Prima e dopo aver usato il WingMan di Harken leggere attentamente tutte le istruzioni contenute in questo manuale. Il manuale istruzioni è parte integrante del prodotto e fornisce ogni informazione necessaria per il suo uso, la sua manutenzione e conservazione corretti e sicuri. Se alcune delle istruzioni non fossero chiare, contattare il rivenditore autorizzato Harken. Harken non sarà responsabile per danni, lesioni o morte causati da

non conformità con le norme di sicurezza e altre istruzioni contenute in questo manuale. Il manuale è dedicato a personale specializzato o utenti esperti.

Conservare le istruzioni/dati utente in un registro permanente una volta separate dall'apparecchiatura prodotta. Copiare le istruzioni/dati utente e conservarli con l'apparecchiatura.

SI PREGA DI CONSERVARE QUESTE ISTRUZIONI

2. Informazioni relative alla sicurezza

a) Precauzioni generali relative alla sicurezza:



AVVERTENZA! Le attività che prevedono l'uso di questa apparecchiatura sono intrinsecamente pericolose. L'utente è responsabile delle proprie azioni e delle proprie decisioni.



AVVERTENZA! Questo prodotto deve essere usato solo da persone competenti o utenti esperti.



AVVERTENZA! Prima di utilizzare questa apparecchiatura occorre:



AVVERTENZA! La mancata osservanza di qualunque tra queste avvertenze può comportare gravi lesioni o morte.

1. Leggere e comprendere tutte le istruzioni per l'uso
2. Ottenere formazione specifica per il suo uso corretto
3. Familiarizzarsi con le sue possibilità e limiti
4. Comprendere e accettare i rischi relativi

b) Destinazione d'uso:

Il WingMan è un dispositivo meccanico che aiuta a sollevare e a rilasciare dei carichi. Si usa in un impianto di protezione anticaduta o per lavorare in quota. Il suo uso è previsto per lavorare in quota, per l'accesso e il recupero. Può essere usato per sospendere delle persone con un carico massimo di 3 kN.

e) Rischi:



AVVERTENZA! La caduta da una certa altezza o oggetti che sfuggano e cadano possono provocare lesioni o morte.

c) Uso improprio:

Utilizzare solo con il cavo fornito. Non usare mai con cavo metallico o in acciaio. Non usare mai come dispositivo di sospensione di persone qualora il WingMan sia l'unico sostegno. Disporre sempre di un sistema di sicurezza di emergenza.



AVVERTENZA! Rischio di intrappolamento in parti in rotazione.

Indossare sempre abbigliamento e guanti protettivi, se applicabile, che siano attillati. Evitare guanti o indumenti laschi.

d) Dispositivo di protezione individuale:

Si raccomanda di portare i guanti. Tutti i DPI devono essere certificati e contrassegnati secondo le norme nazionali relative attualmente in vigore.

3. Descrizione del prodotto e componenti

a) Descrizione

Il WingMan IN404 è un sistema meccanico ausiliario che consiste in due pulegge orientabili e un cavo fornito dal produttore. Una puleggia è doppia con un arricavo per far terminare il cavo. L'altra puleggia è doppia con un nottolino e una carrucola dotata di camma con una maniglia di rilascio, che permette il rilascio graduale del sistema meccanico ausiliario sotto carico. La maniglia di rilascio si trova all'estremità lato operatore.

b) Materiali dei componenti

Tutte le pulegge sono in alluminio anodizzato. La maniglia è in nylon rinforzato con fibra di vetro. Il cavo è in poliestere statico da 8 mm con una terminazione cucita e non deve essere sostituito. Le pulegge hanno assi e dispositivi di fissaggio in acciaio inox. Il meccanismo del nottolino è in acciaio inox.

3. Descrizione del prodotto e componenti (continua)

c) Certificazione

Il WingMan è certificato come sistema comprendente due pulegge, cavo e attacco per il cavo. Il sistema è certificato secondo le norme seguenti.



SODDISFA I REQUISITI PER IL SISTEMA PRODOTTO PREVISTI DALLA NORMA NFPA 1983, INCORPORATA NELL'EDIZIONE 2022 DELLA NORMA NFPA 2500.

NON SMONTARE.

Ulteriori informazioni sui sistemi prodotti sono disponibili in NFPA 1500 e NFPA 1858 e NFPA 1983, incorporate nell'edizione 2022 di NFPA 2500 / G MBS di uso generale 45 kN.

La parte del blocco a doppio arricavo H-86666 del WingMan è certificata CE e UKCA.



H-86666



H-86666 Doppia puleggia con arricavo laterale

Certificazione: EN 12278.2007

Questa puleggia è progettata per essere utilizzata in un impianto di prevenzione delle cadute dall'alto. Se necessario, questo prodotto deve essere usato con un sistema di protezione anticaduta completo in accordo con la norma EN363 e un'imbracatura di arresto della caduta che sia conforme alla norma EN361.

Norme sui Dispositivi di protezione individuale (Norma 2016/425) e Norme sui Dispositivi di protezione individuale (Applicazione) 2018 e successive modifiche.

Per la Dichiarazione di conformità, visitare www.harkenindustrial.com

Laboratorio per la Certificazione dei DPI (Modulo B):

UL International (Netherlands) B.V.
Westervoortsedijk 60, 6827AT Arnhem,
Paesi Bassi

Laboratorio per la Certificazione UKCA (Modulo B):

UL International (UK) Ltd –
Kingsland Business Park, Unit 1-3 Horizon, Wade Rd,
Basingstoke RG24 8AH,
Regno Unito

d) Numero di particolare e taratura del carico (specifiche)

Numero del particolare - IN404

Carico nominale max.	3 kN	674 lbf
Carico di rottura min.	45 kN	10116 lbf

I limiti di carico sopra riportati si basano sull'uso del cavo fornito da Harken. Qualunque modifica alle specifiche del cavo ne cambia i limiti.

e) Compatibilità (scelta di altri componenti per l'impianto)

I connettori e i componenti devono anche soddisfare le norme e le regole di protezione anticaduta per gli enti di controllo e regolamentazione a presidio. I dispositivi di fissaggio devono essere bloccanti e in grado di sopportare almeno 22 kN (5000 lb).



AVVERTENZA! Non superare il carico nominale massimo.

3.f Descrizione dei particolari - Fare riferimento all'illustrazione di pagina 17

3.g Etichettatura - Fare riferimento alle illustrazioni di pagina 18

3.h Dimensioni - Fare riferimento alle illustrazioni di pagina 18 e 19

4. Prerequisiti e limitazioni per la destinazione d'uso

a) Condizioni atmosferiche

Temperatura di funzionamento tra -10 °C e +40 °C (tra 14 °F e 104 °F). Ghiaccio e umidità possono influenzare negativamente il funzionamento del dispositivo. La prolungata esposizione alla polvere, al ghiaccio e ad altri particolati può provocare danni al WingMan e occorre rimuoverli prima dell'uso.

5. Uso

a) Eseguire l'ispezione prima di ogni uso

Prima di usare il WingMan eseguire la seguente ispezione. Correggere i problemi prima dell'uso. Vedere la descrizione dei componenti a pagina 17 e il modulo per l'ispezione a pagina 42.

Componente	Ispezione	Cosa fare in caso di problemi
Occhielli orientabili	Assicurarsi che l'occhiello ruoti liberamente. Un'assenza di rotazione può indicare un sovraccarico.	Rimuovere dall'uso. Inviare al centro assistenza Harken.
Occhielli orientabili	Verificare che non vi siano tracce di usura sulla parte degli occhielli soggetta al carico per ogni puleggia.	Rimuovere dall'uso. Inviare al centro assistenza Harken.
Viti di ritegno a occhiello orientabile	Controllare se vi sono viti allentate.	Rimuovere dall'uso. Inviare al centro assistenza Harken.
Estremità dell'asse rivettata	Verificare che il rivetto sia sicuro e non lasco.	Rimuovere dall'uso. Inviare al centro assistenza Harken.
Corpo della puleggia	Ispezionare il corpo di alluminio della puleggia per verificare se vi sono crepe, tracce di usura o corrosione.	Rimuovere dall'uso. Inviare al centro assistenza Harken.
Funzionamento della carrucola	Assicurarsi che le carrucole ruotino liberamente. Assicurarsi che la carrucola con nottolino ruoti in una direzione e si arresti nell'altra. La carrucola con nottolino deve fare clic quando ruota.	Seguire le istruzioni di manutenzione contenute in questo manuale e ricontrrollare. Se ancora non ruota liberamente, rimuovere dall'uso. Inviare al centro assistenza Harken.
Maniglia di rilascio	Assicurarsi che la maniglia di rilascio blocchi il cavo quando si rilascia completamente la maniglia. Assicurarsi che la molla chiuda correttamente la maniglia.	Rimuovere dall'uso. Inviare al centro assistenza Harken.
	Ispezionare la maniglia per verificare che non vi siano crepe, tracce di usura o separazione tra le due metà.	Rimuovere dall'uso. Inviare al centro assistenza Harken.
Terminazione cucita del cavo	Controllare che la cucitura non abbia segni di danni o non si sia disfatta. Ispezionare il coperchio dell'arricavo per assicurarsi che la vite sia ben serrata e bloccata con un composto per il bloccaggio dei filetti.	Rimuovere dall'uso. Inviare al centro assistenza Harken.
Cavo	Verificare che non vi siano abrasioni, danni da UV, muffa, segni di esposizione a prodotti chimici, grasso o eccesso di calore.	Rimuovere dall'uso. Inviare al centro assistenza Harken.
Nodo di fermo del cavo	Assicurarsi che ci sia un nodo di fermo sull'estremità libera del cavo di tiro.	Fare un nodo antislittamento e coprirlo con termoretraibile trasparente.
Passaggio del cavo	Assicurarsi che i trefoli del cavo non siano incrociati o aggrovigliati. Questo può accadere se la puleggia si ribalta durante la movimentazione.	Fare ribaltare la puleggia attraverso i trefoli per correggere il problema. Vedere il diagramma in parte 3.
	Assicurarsi che il cavo passi correttamente attraverso tutte le carrucole. L'estremità di tiro/ rilascio del cavo deve uscire dalla doppia puleggia con arricavo.	Far passare il cavo attraverso l'ultima carrucola e assicurarsi che l'arresto cucito sia correttamente posizionato.

5. Uso (continua)

b) Funzionamento

Test di funzionamento - Prima di ogni uso, verificare che il dispositivo funzioni correttamente. Disporre sempre di un sistema di sicurezza di emergenza. Ancorare un'estremità e applicare gradatamente il carico al WingMan. Assicurarsi che il cavo sia serrato nella doppia puleggia con la maniglia di rilascio. Afferrare con una mano l'estremità del cavo in movimento e con l'altra aprire lentamente la maniglia per permettere al cavo di passare attraverso di essa e al carico di iniziare a scendere. Allentare la pressione sulla maniglia, in modo che si chiuda e accertarsi che il cavo si blocchi. Applicando un carico moderato al sistema, aprire la maniglia e accertarsi che scatti in posizione chiusa. Tirare il cavo di tiro e accertarsi che le carrucole ruotino liberamente e si oda una serie di clic.

Preparazione - Fissare un'estremità ad un ancoraggio o a un punto idoneo e ben resistente sull'imbracatura. Tenere la maniglia di rilascio a portata dell'operatore.

A seconda dell'orientamento, il WingMan può essere usato come ausilio meccanico 4:1 o ausilio meccanico 5:1.

Ausilio meccanico 4:1 - Se la doppia puleggia con arricavo è collegata all'ancoraggio, allora la doppia puleggia con maniglia di rilascio è il carico da spostare, e se l'operatore non è il carico da spostare, il sistema fornisce un ausilio meccanico 4:1. Se il carico è rappresentato dall'operatore, il sistema diventa 5:1.

Ausilio meccanico 5:1 - Se la doppia puleggia con maniglia di rilascio è collegata all'ancoraggio e la doppia puleggia con maniglia di rilascio è il carico da spostare, il sistema fornisce un ausilio meccanico 5:1. Nota: la maniglia deve essere a portata di mano dell'operatore.

5.b Funzionamento - Fare riferimento all'illustrazione di pagina 19



Discesa - Per far scendere il carico, aprire con attenzione la maniglia di rilascio mettendo in sicurezza la coda del cavo di tiro/rilascio. Aprire la maniglia finché non si sentirà un poco di pressione, poi aumentare lentamente la pressione come necessario per iniziare la discesa. Usare la combinazione di rilascio della maniglia e controllo del residuo di cavo per controllare la velocità di discesa.



Per smettere di farlo scendere, allentare la pressione sulla maniglia in modo che si chiuda e lo blocchi. Rilasciando la maniglia completamente, l'azione di discesa si interromperà immediatamente.

5. Uso (continua)



Sollevarlo - Sollevare tirando, una mano sull'altra. Quando ci si ferma (la mano lascia il cavo di tiro/rilascio) accertarsi che il carico sia in sicurezza con un legamento di bloccaggio che termini con un nodo di sicurezza. Accertarsi di non assicurarlo o interferire con la maniglia di rilascio.

Parcheggio durante il sollevamento o l'abbassamento - Quando è fermo (la mano lascia il cavo di tiro/rilascio) accertarsi che il carico sia in sicurezza usando un legamento di bloccaggio che termini con un nodo di sicurezza.

IMPORTANTE! - Non fissare alla maniglia di rilascio né interferire con il funzionamento della stessa.



Pulegge in sicurezza per la conservazione

IMPORTANTE! - Una volta terminato di usare il sistema WingMan, tirare attentamente le due pulegge insieme per impedire che si ingarbugolino durante il trasporto e la conservazione. Per tirare il sistema di ausilio meccanico e unirne le parti, fissare un'estremità del WingMan e continuare a far pressione sull'occhiello girevole dell'altra estremità tirando la parte che effettua il recupero.

5. Uso (continua)

c) Recupero di emergenza

Occorre avere un piano di recupero di emergenza e i mezzi per implementarlo rapidamente qualora si incontrassero difficoltà durante l'uso dell'apparecchiatura.

d) Temperatura di funzionamento

-10 °C e +40 °C
(14 °F e 104 °F)

Usare, conservare e trasportare il WingMan dove sarà protetto da temperature elevate o fiamme.



AVVERTENZA! Evitare di esporre il Wingman a fiamme o temperature elevate. Potrebbe sciogliersi o bruciare e non funzionare più se esposto a fiamme o temperature elevate e questo potrebbe comportare gravi lesioni o morte.

e) Rimozione dall'uso

Se il WingMan è stato sottoposto agli sforzi necessari per arrestare una caduta, deve essere immediatamente rimosso dall'uso. Il prodotto può essere gravemente danneggiato se esposto ad agenti chimici, calore e abrasione e deve essere rimosso dall'uso se si dubitasse della sicurezza del suo funzionamento. In caso di dubbio verificare con Harken Industrial.

6. Manutenzione

Non smontare il WingMan. Se sporco o esposto ad acqua salata, risciacquare in acqua calda pulita (temperatura massima 25 °C) con detergente adeguatamente diluito (gamma ph 5,5-8,5) e risciacquare accuratamente. Quando l'attrezzatura si bagna, a causa dell'uso o della pulizia, deve essere lasciata asciugare in modo naturale e tenuta lontano da fonti dirette di calore. Una leggera corrosione superficiale può essere rimossa con una spazzola di ferro (non usare strumenti elettrici). Rimuoverlo dall'uso in caso di forte corrosione.

Non usare alcun tipo di lubrificante sulle pulegge o sulla maniglia di rilascio. Risciacquare e asciugare come sopra specificato. Asciugare lontano da solventi e materiali corrosivi. Non conservare a temperature estreme o esposto direttamente ai raggi UV. Importante: non metterlo in una borsa in un contenitore sigillato fino a che non sarà asciutto.

8. Imballaggio, conservazione e trasporto

Evitare di imballare, conservare o trasportare il WingMan se esposto alle seguenti condizioni:

- Raggi UV
- Calore eccessivo
- Acqua salata
- Prodotti chimici, inclusi solventi, grasso, olio o materiali corrosivi

Inviare il WingMan a un **centro di assistenza Harken** prima del previsto se l'apparecchiatura è conservata alla luce diretta del sole per lunghi periodi e il cavo si presenta scolorito.

7. Vita utile

Non rimuovere o sostituire il cavo. La certificazione si basa sull'uso del cavo fornito con l'apparecchiatura. Tutte le prove per la certificazione sono state effettuate usando un cavo Kernmantle con le stesse specifiche. Usare un altro tipo di cavo renderebbe il WingMan non conforme e potrebbe impedire che il WingMan venga correttamente bloccato e rilasciato. Il produttore non è responsabile per nessun altro cavo usato nel sistema.

Inviare il WingMan a not ad un centro di assistenza Harken per la sostituzione del cavo e un'ispezione generale ogni cinque anni. Se il WingMan è stato tenuto alla luce diretta del sole ed è evidente che il cavo è sbiadito, rimandarlo immediatamente ad Harken. Se il cavo non passa l'ispezione, smettere immediatamente di usarlo e inviarlo al **centro assistenza Harken** perché sostituisca il cavo.

9. Garanzia

Harken garantisce questo prodotto per tre anni contro qualunque difetto di materiali o di produzione. La garanzia non copre il prodotto da normale usura, ossidazione, modifiche o alterazioni, uso improprio o errata conservazione, cattiva manutenzione, danni accidentali, negligenza o qualunque uso per cui il prodotto non è previsto.



Lea atentamente estas instrucciones antes de instalar, dar mantenimiento o hacer funcionar el equipo. Este manual puede ser modificado sin previo aviso. En caso de que este manual se traduzca, la versión en inglés es la definitiva. Para la última versión del manual, vaya a harkenindustrial.com/en/product-support/

1. Acerca de este manual

Antes y después de usar su WingMan de Harken lea detalladamente las instrucciones contenidas en este manual. Este manual de instrucciones es una parte integral del producto y aporta toda la información necesaria para un uso, mantenimiento y almacenamiento correctos y seguros. Si no comprende algunas de las instrucciones, comuníquese con el distribuidor autorizado de Harken. Harken no se responsabiliza de ningún daño, lesión o muerte causada por el incumplimiento de las instrucciones

de seguridad u otras instrucciones contenidas en este manual. Este manual está dirigido a personal especializado o usuarios expertos.

Conserve las instrucciones de uso/información de usuario tras separarlas del sistema fabricado y guárdelas en un archivo permanente. Copie las instrucciones de uso/la información de usuario y consérvelas con el equipo.

2. Información de seguridad

a) Precauciones generales de seguridad:



¡ATENCIÓN! Las actividades que implican el uso de este equipo son intrínsecamente peligrosas. Usted es responsable de sus propias acciones y decisiones.



¡ATENCIÓN! Este producto solo lo deben usar personas competentes o expertos cualificados.



¡ATENCIÓN! Antes de usar este equipo:

1. Lea y comprenda todas las instrucciones de uso
2. Reciba formación específica en su uso adecuado
3. Familiarícese con sus capacidades y limitaciones
4. Entienda y acepte los riesgos que implica



¡ATENCIÓN! El incumplimiento de cualquiera de estas advertencias puede provocar lesiones graves o la muerte.

b) Uso previsto:

WingMan es un aparato de ventaja mecánica para elevar y soltar carga. Se usa para protección contra caídas o en sistemas de trabajo en altura. Está diseñado para trabajos en altura, accesos y rescates. Puede usarse en suspensiones humanas de hasta 3 kN.

e) Riesgos:



¡ATENCIÓN! Una caída desde alturas o la caída de objetos puede causar lesiones o la muerte.

c) Uso inadecuado:

Úselo solo con la cuerda proporcionada. Nunca lo use con cable metálico o de acero. Nunca lo use como un aparato de suspensión humana si WingMan es el único apoyo. Disponga siempre de un sistema de seguridad de respaldo.



¡ATENCIÓN! Riesgo de atrapamiento a causa de piezas giratorias. Utilice siempre ropa y guantes protectores, si es el caso, bien ajustados. Evite la ropa o los guantes sueltos o flojos.

d) Equipo de protección individual:

Se recomienda llevar puestos guantes. Todos los EPI deben estar certificados y marcados de acuerdo con los correspondientes reglamentos nacionales.

3. Descripción del producto y componentes

a) Descripción

El WingMan In404 es un sistema de ventaja mecánica que consiste en dos poleas giratorias y una cuerda proporcionada por el fabricante. Una polea es doble con un estrobo para que la cuerda tenga un punto muerto. La otra polea es doble con un trinquete y una roldana de leva con una manivela de desbloqueo que permite la liberación gradual del sistema de ventaja mecánica bajo carga. La manivela de desbloqueo se encuentra en el extremo del operador.

b) Material de los componentes

Se utiliza aluminio anodizado en todas las poleas. La manivela es de nailon reforzado con fibra de vidrio. La cuerda es estática, de 8 mm y está fabricada en poliéster con una terminación cosida; no debe sustituirse. Las poleas tienen fijadores y ejes de acero inoxidable. El mecanismo de trinquete es de acero inoxidable.

3. Descripción del producto y componentes (continúa)

c) Certificación

WingMan está certificado como un sistema que incluye dos poleas, cuerda y conexión de cuerda. El sistema está certificado según las normas siguientes.



CUMPLE CON LOS REQUISITOS DE SISTEMAS FABRICADOS DE NFPA 1983, INCORPORADOS EN LA EDICIÓN 2022 DE NFPA 2500.

NO LO DESMONTE.

Puede encontrar información adicional sobre sistemas fabricados en NFPA 1500, NFPA 1858 y NFPA 1983, incorporados en la edición 2022 de NFPA 2500 / Uso general G MBS 45 kN.

La parte de bloque de doble estrobo H-86666 de WingMan está certificada por la CE y UKCA.



H-86666



H-86666 Polea doble con estrobo lateral

Certificación: EN 12278.2007

Esta polea está diseñada para su uso en un sistema para evitar una caída desde alturas. Cuando sea necesario, este producto deberá usarse con un sistema de protección completo contra caídas según EN 363 y un arnés anticaídas que cumpla con EN361.

Reglamentos sobre equipos de protección individual (Reglamento 2016/425) y el (cumplimiento) de los reglamentos sobre equipos de protección individual de 2018, en su forma modificada.

Para la Declaración de Conformidad, visite www.harkenindustrial.com

Laboratorio para la certificación EPI (Módulo B):

UL International (Netherlands) B.V.
Westervoortsedijk 60, 6827AT Arnhem,
Países Bajos

Laboratorio para la certificación UKCA (Módulo B):

UL International (R.U.) Ltd –
Kingsland Business Park, Unit 1-3 Horizon, Wade Rd,
Basingstoke Rg24 8AH,
Reino Unido

d) Número de pieza y capacidad de carga (características)

Número de pieza - IN404

Carga nominal máxima	3 kN	674 lbf
Resistencia mínima a la rotura	45 kN	10 116 lbf

Los límites de la carga mencionados se basan en el uso de cuerdas proporcionadas por Harken. Cualquier cambio en las características de la cuerda cambia los límites.

e) Compatibilidad (selección de otros componentes para el sistema)

Los conectadores y componentes deben cumplir las normas de protección contra caídas y los reglamentos de los organismos reguladores rectores. Los aparatos de conexión deben poder bloquearse y ser capaces de soportar como mínimo 22 kN (5000 lb).



¡ATENCIÓN! No exceda la carga nominal máxima.

3.f Descripción de las piezas - Consulte la ilustración de la pág. 17

3.g Etiquetado - Consulte las ilustraciones de la pág. 18

3.h Dimensiones - Consulte las ilustraciones de la pág. 18 y 19

4. Prerrequisitos y limitaciones del uso previsto

a) Condiciones atmosféricas

Funciona a temperaturas de entre -10 °C y 40 °C (14 °F y 104 °F). La humedad y el hielo pueden afectar el funcionamiento del aparato. Una exposición prolongada al polvo, el hielo u otras partículas puede causar daños al WingMan, por lo que estos deben eliminarse antes del uso.

5. Uso

a) Inspección previa a cada uso

Inspeccione minuciosamente lo siguiente antes de usar el WingMan. Corrija los problemas antes de usarlo. Consulte la descripción de las piezas en la pág. 17 y el formulario de inspección en la pág. 50.

Componentes	Inspección	Acción si no es correcto
Ojos de pivote	Asegúrese de que el pivote gira libremente. La falta de rotación puede indicar sobrecarga.	Retírelo del servicio. Envíelo al servicio técnico de Harken.
Ojos de pivote	Compruebe si hay desgaste en la parte del ojo que soporta las cargas en cada polea.	Retírelo del servicio. Envíelo al servicio técnico de Harken.
Tornillos de sujeción del ojo del pivote	Compruebe si hay tornillos sueltos o flojos.	Retírelo del servicio. Envíelo al servicio técnico de Harken.
Extremo remachado del eje	Asegúrese de que el remache está fijado y no suelto o flojo.	Retírelo del servicio. Envíelo al servicio técnico de Harken.
Cuerpo de la polea	Inspeccione el cuerpo de aluminio de la polea por si hubiera algún desgaste por grietas o corrosión.	Retírelo del servicio. Envíelo al servicio técnico de Harken.
Funcionamiento de la roldana	Asegúrese de que las roldanas rueden libremente. Asegúrese de que la roldana de trinquete rueda en una dirección y se para en otra dirección. La roldana de trinquete debería hacer el sonido de un clic a la hora de girar.	Siga las instrucciones de mantenimiento de este manual y vuelva a comprobar. Si aun así sigue sin rodar libremente retírelo del servicio. Envíelo al servicio técnico de Harken.
Manivela de desbloqueo	Asegúrese de que la manivela de desbloqueo bloquea la cuerda cuando la manivela se suelta completamente. Asegúrese de que la acción de resorte cierra la manivela rápidamente.	Retírelo del servicio. Envíelo al servicio técnico de Harken.
	Inspeccione la manivela por si hubiera algún desgaste por grietas o separación entre mitades.	Retírelo del servicio. Envíelo al servicio técnico de Harken.
Terminación cosida de la cuerda	Compruebe el bucle cosido para ver si existen signos de haberse descosido o dañado. Inspeccione la cobertura del estrobo de cuerda para asegurarse de que el tornillo esté apretado y asegurado con un compuesto para fijar roscas.	Retírelo del servicio. Envíelo al servicio técnico de Harken.
Cuerda	Compruebe si hay algún tipo de abrasión, daño por radiación ultravioleta, moho, exposición a productos químicos, grasa o calor excesivo.	Retírelo del servicio. Envíelo al servicio técnico de Harken.
Nudo de tope de la cuerda	Asegúrese de que hay un nudo de tope en el extremo libre de la cuerda de tracción.	Ate el nudo de barril y cúbralo con film transparente.
Enhebrar la cuerda	Asegúrese de que las hebras de la cuerda no estén cruzadas ni enredadas. Esto puede suceder si se da la vuelta a la polea durante la manipulación.	Dele la vuelta a la polea a través de las hebras para corregir el problema. Consulte el diagrama en la sección 3.
	Asegúrese de que la cuerda está enhebrada a través de todas las roldanas. El extremo de tracción/cola de la cuerda debe salir de la polea doble con estrobo.	Dirija la cuerda a través de la última roldana y asegúrese que el tope cosido está en su sitio.

5. Uso (continúa)

b) Funcionamiento

Prueba de funcionamiento - Antes de cada uso, verifique que el aparato funciona correctamente. Disponga siempre de un sistema de seguridad de respaldo. Sujete un extremo y aplique gradualmente carga al WingMan. Asegúrese de que la cuerda está bloqueada en la polea doble con manivela de desbloqueo. Sujete el extremo de la cuerda con una mano y a continuación con la otra abra despacio la manivela para dejar que la cuerda pase y la carga empiece a bajar. Alivie la presión sobre la manivela para que se cierre y asegúrese de que la cuerda se bloquea. Con una carga moderada sobre el sistema, abra la manivela y asegúrese de que la manivela se cierre inmediatamente. Tire de la cuerda de tracción/cola y asegúrese de que las roldanas giren libremente y se oiga el sonido de un clic.

Configuración - Fije un extremo a un anclaje o a un punto de anclaje adecuado con plena capacidad de carga en el arnés. Mantenga la manivela de desbloqueo al alcance del operador.

Dependiendo de la orientación, el WingMan puede usarse como un sistema de ventaja mecánica 4:1 o un sistema de ventaja mecánica 5:1.

Ventaja mecánica 4:1 - Si la polea doble con estrobo se engancha al anclaje de modo que la doble con manivela de desbloqueo es la carga móvil, y si el operador no es la carga móvil, el sistema aporta una ventaja mecánica 4:1. Si el operador es la carga móvil, el sistema se convierte en 5:1.

Ventaja mecánica 5:1 - Si la polea doble con manivela de desbloqueo se engancha al anclaje y la doble con estrobo es la carga móvil, el sistema aporta una ventaja mecánica 5:1. Importante: La manivela debe estar al alcance del operador.

5.b Funcionamiento - Consulte la ilustración de la pág. 19



Bajada - Para bajar la carga, abra con cuidado la manivela de desbloqueo mientras sigue la cuerda de tracción/cola de un modo seguro. Abra la manivela hasta que empiece a sentir algo de presión, luego aumente la presión lentamente según sea necesario para empezar a bajar. Use la combinación de desbloqueo de la manivela y el seguimiento para controlar la velocidad de descenso.

Para detener la bajada, alivie la presión sobre la manivela para que pueda cerrarse y bloquearse. Soltar la manivela por completo detendrá inmediatamente la bajada.

5. Uso (continúa)



Subir - Suba la carga tirando de la cuerda con una mano detrás de la otra. Cuando se detenga (la mano suelta la cuerda de tracción/cola) asegúrese de que la carga está fijada usando un nudo de bloqueo finalizado con un lazo de seguridad. Asegúrese de no fijar ni interferir en la manivela de desbloqueo.

Aparcar mientras sube o baja - Cuando se detenga (la mano suelta la cuerda de tracción/cola) asegúrese de que la carga está fijada usando un nudo de bloqueo finalizado con un lazo de seguridad.

¡IMPORTANTE! - No ate a la manivela de desbloqueo ni interfiera en el funcionamiento de la misma.



Poleas fijadas para almacenamiento

¡IMPORTANTE! - Cuando haya terminado de usar el sistema WingMan, junte con cuidado las dos poleas para evitar enredos durante el transporte y el almacenamiento. Para juntar el sistema de ventaja mecánica, fije un extremo del WingMan y ejerza presión sobre el ojo de pivote del otro extremo mientras tira de la parte tractora.

5. Uso (continúa)

c) Rescate

Debe disponer de un plan de rescate y de los medios para ponerlo en práctica rápidamente en caso de verse en dificultades cuando use este equipo.

d) Temperatura de funcionamiento

-10 °C y 40 °C
(14 °F y 104 °F)

Utilice, almacene y transporte el WingMan donde esté protegido de las llamas y de las altas temperaturas.



¡ATENCIÓN! No exponga el Wingman a las llamas o a altas temperaturas. Podría derretirse o quemarse y estropearse si se expone a las llamas o a altas temperaturas, lo que puede provocar lesiones graves o la muerte.

e) Retirada del servicio

Si el WingMan ha estado sujeto a las fuerzas derivadas de detener caídas, su uso debe suspenderse inmediata y permanentemente. El producto puede sufrir graves daños si se expone a agentes químicos, calor y abrasión, y debe dejar de utilizarse si se duda de que pueda funcionar de manera segura. En caso de duda, consulte con Harken Industrial.

6. Mantenimiento

No desmonte el WingMan. Si se ensucia o se expone a agua salada, enjuáguelo con agua limpia y tibia (temperatura máxima de 25 °C) sin detergente con una dilución adecuada (rango de pH de 5,5 a 8,5) y aclare a fondo. Cuando el equipo se moje, durante su uso o debido a la limpieza, déjelo secar de forma natural y manténgalo alejado del calor directo. La corrosión superficial leve puede eliminarse con un cepillo de alambre (sin herramientas eléctricas). Deséchelo si la corrosión es abundante.

No use lubricación de ningún tipo en las poleas o en la manivela de desbloqueo. Limpie y seque según las indicaciones recién mencionadas. Séquelo alejado de disolventes y materiales corrosivos. No lo almacene a temperaturas extremas ni lo exponga directamente a radiación ultravioleta. Importante: No lo ponga en ninguna bolsa ni ningún envase sellado hasta que no esté seco.

8. Embalaje, almacenamiento y transporte

No empaquete, almacene ni transporte el WingMan si está expuesto a estas condiciones:

- Rayos UV
- Calor excesivo
- Agua salada
- Productos químicos como disolventes, grasa, aceite o materiales corrosivos

Envíe el WingMan al **servicio técnico de Harken** antes si el sistema se guarda en un lugar expuesto a la luz solar directa durante largos periodos y la cuerda muestra decoloración.

7. Vida útil

No quite ni cambie la cuerda. La certificación se basa en el uso de la cuerda proporcionada. Todas las pruebas para la certificación se llevaron a cabo usando cuerdas Kernmantle con las mismas características. El uso de cualquier otra cuerda convierte al WingMan en no conforme y puede impedir su correcto bloqueo y desbloqueo. El fabricante no se responsabiliza del uso de ninguna otra cuerda en el sistema.

Envíe el WingMan al servicio técnico de Harken para sustituir la cuerda y realizar una inspección general cada cinco años. Si el WingMan se ha guardado en un lugar expuesto a la luz solar directa de tal manera que la decoloración de la cuerda es evidente, devuélvalo a Harken inmediatamente. Si la cuerda no pasa la inspección, deje de usar el dispositivo inmediatamente y envíelo al **servicio técnico de Harken** para sustituir la cuerda.

9. Garantía

Harken ofrece una garantía de tres años contra cualquier defecto en los materiales o de fabricación. La garantía no cubre este producto por desgaste normal, oxidación, modificación o alteración, uso o almacenamiento incorrecto, mal mantenimiento, daños accidentales, negligencia o cualquier uso para el que el producto no haya sido diseñado.

Country of Manufacture - USA



Manufacturer - Harken

N15W24983 Bluemound Rd., Pewaukee, WI 53072-4974 USA
Telephone: +1 262 691-3320 • Fax: +1 262 701-5780
Web: www.harkenindustrial.com
Email: infoUSA@harkenindustrial.com