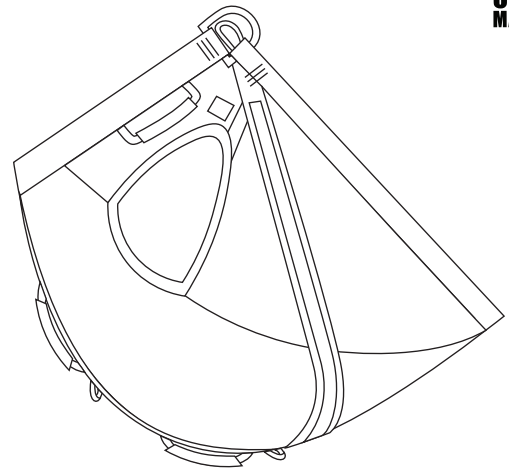




HELITACK HOTSEAT™



MEETS THE VICTIM EXTRICATION DEVICE REQUIREMENTS OF NFPA 1983, STANDARD ON LIFE SAFETY ROPE AND EQUIPMENT FOR EMERGENCY SERVICES, 2017 EDITION, CLASS III.

EMERGENCY SERVICES VICTIM EXTRICATION DEVICE IN ACCORDANCE WITH NFPA 1983 - 2017.

⚠ WARNINGS

- FAILURE TO COMPLY WITH INSTRUCTIONS OR IMPROPER USE OF THIS EQUIPMENT MAY RESULT IN SERIOUS INJURY OR DEATH.
- THIS EQUIPMENT HAS BEEN DESIGNED AND MANUFACTURED FOR USE BY EXPERIENCED PROFESSIONALS ONLY.
- DO NOT ATTEMPT TO USE THIS EQUIPMENT WITHOUT PROPER TRAINING.
- MANUFACTURER'S INSTRUCTIONS SHALL BE PROVIDED TO THE USER.
- THOROUGHLY READ AND UNDERSTAND ALL LABELS AND INSTRUCTIONS BEFORE USE.
- USE, INSPECT AND REPAIR ONLY IN ACCORDANCE WITH MANUFACTURER'S INSTRUCTIONS.
- DO NOT ALTER OR MISUSE THIS EQUIPMENT.
- FOLLOW RECOMMENDED PROCEDURES FOR DRESSING AND ADJUSTING THE VICTIM EXTRICATION DEVICE.
- FOLLOW THE EMPLOYER'S SAFE WORKING PROCEDURES AT ALL TIMES WHEN USING THE VICTIM EXTRICATION DEVICE.
- THE USER SHALL HAVE A RESCUE PLAN AND A MEANS TO IMPLEMENT IT WHEN USING THIS EQUIPMENT.
- KNOW AND FOLLOW ALL APPLICABLE OSHA AND OTHER REGULATIONS PERTAINING TO OCCUPATIONAL SAFETY.
- ASSURE THAT ANY COMBINATION OF COMPONENTS OR SUBSYSTEMS, OR BOTH, DO NOT INTERFERE WITH THE SAFE FUNCTION OF EACH OTHER.
- DO NOT EXPOSE THE VICTIM EXTRICATION DEVICE TO CHEMICALS WHICH ARE HARMFUL TO NYLON. IF IN DOUBT, CONTACT THE MANUFACTURER.
- AVOID CONTACT WITH SHARP EDGES OR ABRASIVE SURFACES.
- USE EXTREME CAUTION WHEN USING THE VICTIM EXTRICATION DEVICE AROUND MOVING MACHINERY OR ELECTRICAL HAZARDS.



CMC Rescue, Inc.
6740 Cortona Drive
Goleta, CA 93117, USA
805-562-9120 / 800-235-5741
cmcpro.com

Legend



Imminent risk of serious injury or death.



Appropriate function or use.



Imminent risk of accident or injury.



Equipment incompatibility.

CERTIFICATION AND USE

The HotSeat™ is designed to extricate ambulatory subjects during helicopter hoist or short haul operations. The back handle (A) and seat handle (B) are intended to be used by a hoist operator to assist in transitioning the subject inside the aircraft cabin, while the two side handles are intended for the subject to hold during extrication.

USER INFORMATION

User Information shall be provided to the user of the product. NFPA Standard 1983 recommends separating the User Information from the equipment and retaining the information in a permanent record. The standard also recommends making a copy of the User Information to keep with the equipment and that the information should be referred to before and after each use.

Additional information regarding life safety equipment can be found in NFPA 1500, *Standard on Fire Department Occupational Safety, Health, and Wellness Program*; NFPA 1983, *Standard on Life Safety Rope and Equipment for Emergency Services*; and NFPA 1858, *Standard on Selection, Care, and Maintenance of Life Safety Rope and Equipment for Emergency Services*.

INSPECTION

Inspect the equipment according to your department's policy for inspecting life safety equipment. Inspect the equipment prior to entry into service, after each use, and at least once every 12 months. The equipment should be thoroughly inspected by an inspector that meets your department's training standard for inspection of life safety equipment. Keep a record of the date, person performing the inspection and results, as well as the date of first use, name of users and any other pertinent information necessary to keep accurate track of the equipment's usage history in the equipment log or on a tag that attaches to the equipment. Each user should be trained in equipment inspection and should inspect the equipment before each use.

When inspecting the equipment, check the webbing and rope for cuts, worn or frayed areas, broken fibers, soft or hard spots, discoloration, or melted fibers. Check the stitching for pulled threads, abrasion, or breaks. Check the hardware for damage, sharp edges, and improper operation. If any of the above is noted, or if the equipment has been subjected to shock loads, fall loads, or abuse other than normal use, remove the equipment from service and destroy it. If there is any doubt about the serviceability of the equipment, remove the equipment from service and destroy it.

The equipment has a lifespan of 10 years from the date of manufacture shown on the product label. Retiring equipment from service is also a function of the operating conditions, level of use, and environmental conditions. Any concerns about its safe use is cause for retirement.

DONNING THE HOTSEAT

1. Assist the subject with donning the HotSeat by feeding their arms through each side opening, similar to putting on a vest. The HotSeat should be positioned around the subject with the seat material behind, the center web loop below, and the D-rings in front. Follow this same procedure when putting the HotSeat on yourself.
2. Bring the center web loop up between the legs to meet the two side D-rings. Thread a carabiner through both D-rings and the center web loop. The carabiner can then be connected to the helicopter hoist hook or short haul main attachment point. CMC recommends using auto-locking carabiners.

WARNING: Do not attach the hoist hook to the handles or any other point on the HotSeat.

3. Instruct the subject to grasp both side handles for the duration of the lift. Holding the handles assists with maintaining an upright, compact, and streamlined body position.

TAGLINE ATTACHMENTS

When conducting an offset hoist operation, or to help mitigate oscillations, a tagline (if utilized) should be connected to one of three connection points:

- A. A designated connection point on the hoist hook or short haul main attachment point. The tagline connection point should be separate from the main HotSeat carabiner attachment.
- B. The structurally sewn loop below the back handle on the HotSeat.
- C. The structurally sewn loop below the seat handle on the HotSeat.

WARNING: Do not attach a tagline to the D-Rings, center web loop, carabiner, side handles, or any other point not listed above. A weak-link must always be used with a tagline.

USING THE SECONDARY RESTRAINT SYSTEM

For subjects shorter than 150 cm (4.5 ft), or for special circumstances where additional restraint is needed, utilize the secondary restraint system located in the inside panel. This restraint system will provide additional security for subjects whose arms cannot pass through the side arm holes.

CARRYING, MAINTENANCE & STORAGE

During use, carrying, and storage, keep the equipment away from acids, alkalis, exhaust emissions, rust and strong chemicals. Do not expose the equipment to flame or high temperatures. Carry the equipment where it will be protected as the equipment could melt or burn and fail if exposed to flame or high temperatures.

If the equipment becomes soiled, it can be washed in clean warm water with a mild detergent that is safe for use with nylon and polyester. Rinse thoroughly. Dry out of direct sunlight. Do not dry in an automatic dryer. Store in a cool, dry location. Do not store where the equipment may be exposed to moist air, particularly where dissimilar metals are stored together.

WARRANTY & REPAIRS

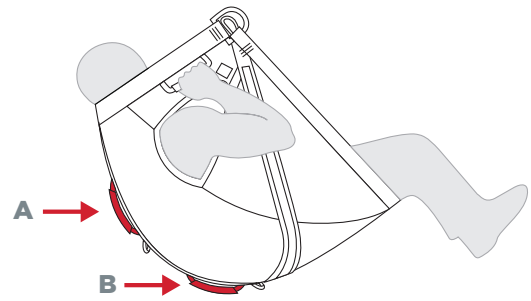
If your CMC product has a defect due to workmanship or materials, please contact CMC Customer Support at info@cmcprou.com for warranty information and service. CMC's warranty does not cover damages caused by improper care, improper use, alterations and modifications, accidental damage or the natural breakdown of material over extended use and time. All repair work shall be performed by the manufacturer. All other work or modifications void the warranty and releases CMC from all liability and responsibility as the manufacturer.

SAMPLE INSPECTION AND MAINTENANCE LOG

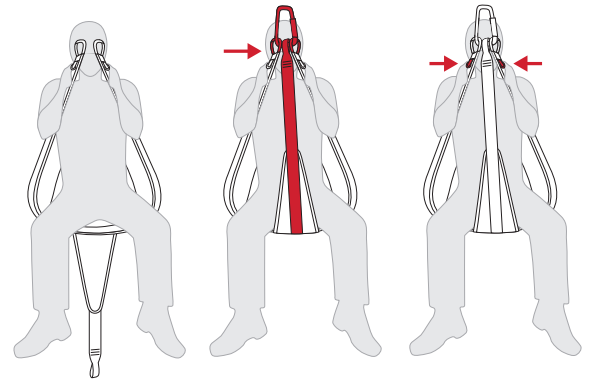
The following sample log provides an example of the records that should be maintained by the purchaser or user of life safety equipment.

EQUIPMENT INSPECTION AND MAINTENANCE LOG			
Item # _____		Date in Service _____	
Brand/Model _____		Strength _____	
Date	How Used or Maintained	Comments	Name

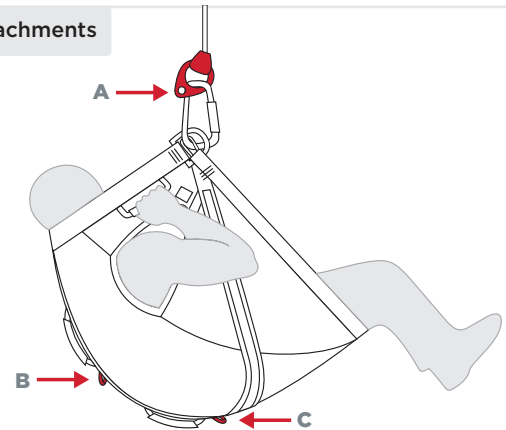
Back and Seat Handles



Donning the Hotseat



Tagline Attachments



Using the Secondary Restraint System

